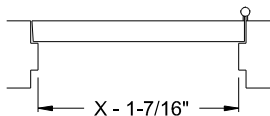




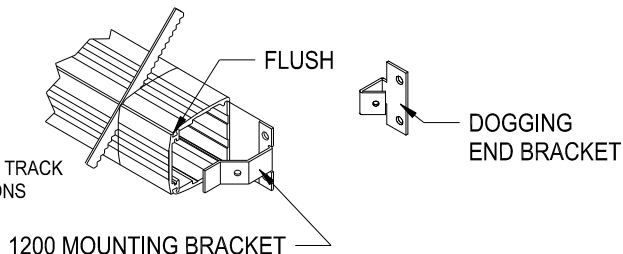
120 SERIES MOUNTING INSTRUCTIONS

STEP 1: FIT DEVICE TO DOOR

TO FIT DEVICE TO DOOR WIDTHS OTHER THAN 36" OR 48",
USE THE SIMPLE FORMULA BELOW :
DISTANCE BETWEEN STOPS MINUS 1-7/16" = HOUSING LENGTH



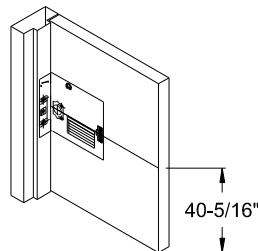
IF CUTTING IS REQUIRED, CUT HOUSING FLUSH.
SLIDE END MOUNTING BRACKET INTO HOUSING TRACK
AND USE IT AS A TEMPLATE FOR HOLE LOCATIONS



1200 MOUNTING BRACKET

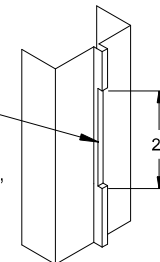
STEP 2 : PREP DOOR

TO MOUNT THE 120 DEVICE, USE HOLES B AND D ON
THE 1200/1300 SERIES TEMPLATE.TAPE MOUNTING
TEMPLATE TO DOOR AT A SUGGESTED HEIGHT OF
40 5/16" FROM FINISHED FLOOR.

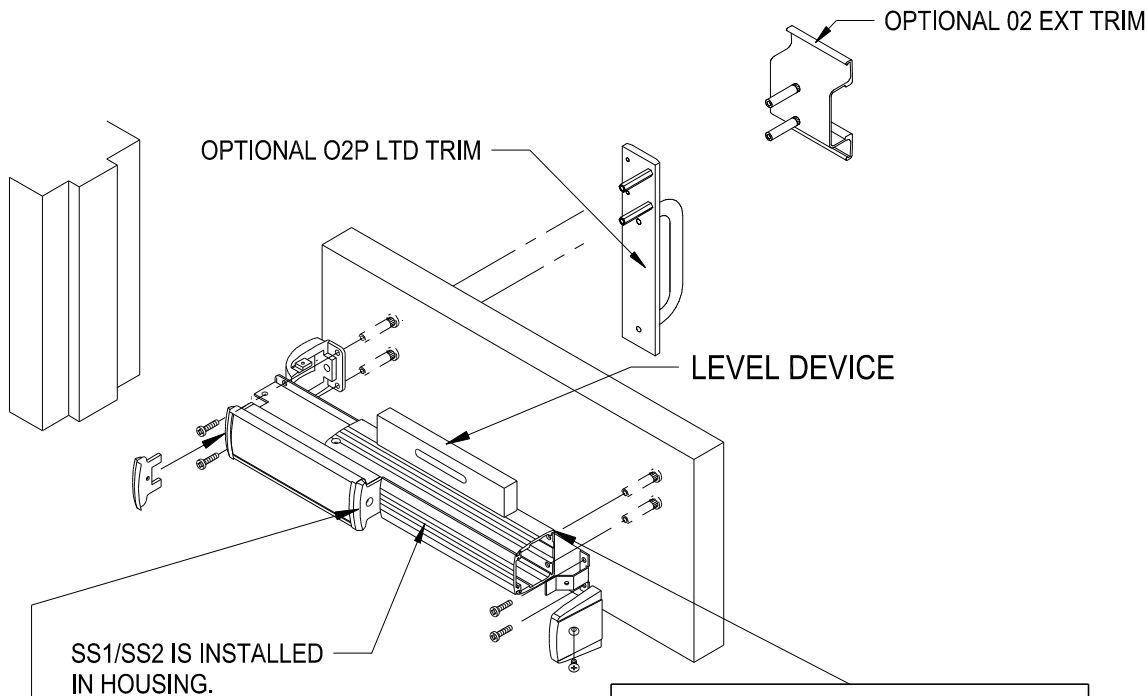


IF YOU ARE MOUNTING THE 120 WITH OUTSIDE TRIM,
USE MOUNTING TEMPLATE SUPPLIED WITH TRIM.

FOR ALUMINUM DOORS :
IT MAY REQUIRE SOME
REMOVAL OF THE BLADE STOP
OR IF THE STILE WIDTH ALLOWS,
THE DEVICE CAN BE MOUNTED
CLOSER TO THE HINGE SIDE
TO CLEAR THE BLADE STOP.



STEP 3 : MOUNT 120 DEVICE



TIP: END CAPS AND PUSH BAR CAN BE
REMOVED TO EASE MOUNTING. NOTE
THAT THE SOLID CAP MOUNTS TOWARDS
HINGE SIDE.

TIP: HOUSING CAN BE REMOVED TO
EASE MOUNTING. BE SURE WHEN
REASSEMBLING THAT CHASSIS MATES
WITH SLOTS IN EXTRUSION.

WIRING INFO

SS1 SWITCH:

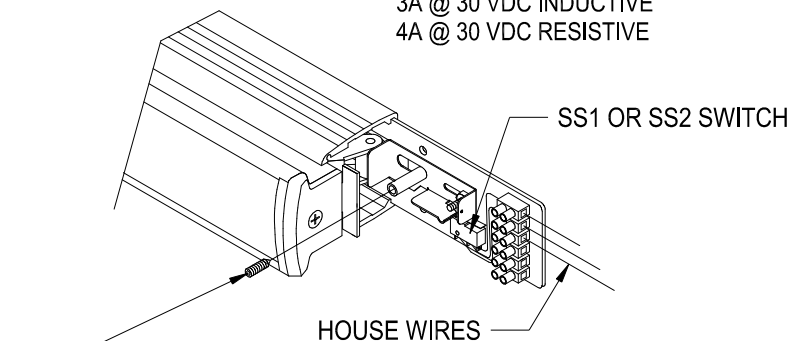
GREEN - NORMALLY CLOSED
RED - NORMALLY OPEN
BLACK - COMMON

SS2 SWITCH:

GREEN - NORMALLY CLOSED
RED - NORMALLY OPEN
BLACK - COMMON
BLUE - NORMALLY CLOSED
WHITE - NORMALLY OPEN
BROWN - COMMON

SWITCH RATING

SS1 & SS2 SWITCHES ARE UL RATED
3A @ 30 VDC INDUCTIVE
4A @ 30 VDC RESISTIVE



SIGNAL SWITCH IS SECURED IN HOUSING WITH A SET SCREW.
SWITCH PLATE MUST BE AGAINST HOUSING STAMPING
TO INSURE PROPER ENGAGEMENT OF SWITCH.