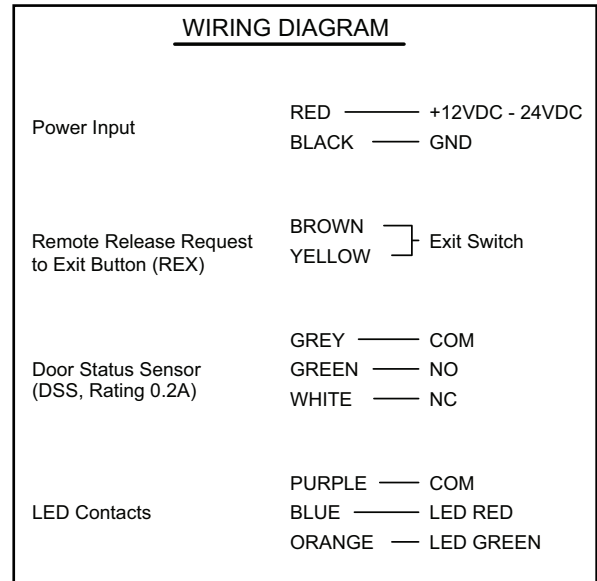




In or Out... we make it Easy!

Instructions

1. Choose lock position and determine vertical centerline of the doorjamb.
2. Transfer this centerline and the horizontal centerline to door.
3. Prepare the doorframe and door as per template drawing.
4. With metal frames and doors, install the "no-weld" universal mounting brackets that are included in the kit.
5. Make sure to countersink the screw holes as per Figure 1 dimensions.
6. For wooden doors and frames hollow out the frame to the proper depth for the deadbolt assembly and drill an access hole for wiring and LED.
7. Attach wires as per wiring diagram and install connector into deadbolt housing.
8. Attach the strike to the door making sure to recess the faceplate and sensor.



Specifications

| | |
|-------------------------|---|
| Insert Dimensions | 1-3/8" D x 8-1/4"H x 1"W (35.0mm D x 209.6mm H x 25.4mm W) |
| Strike Plate Dimensions | 1/4" D x 3-5/8"H x 1"W (6.5mm D x 91.7mm H x 25.4mm W) |
| Bolt Dimensions | 1/2" Diameter x 9/16" throw (12.7mm Diameter x 14.5mm throw) |
| Operating Voltage | 12-24VDC |
| Mode of Operation | Fail Unlocked 3308 or Fail Locked 3108 |
| DSS Output | COM, NO, NC Door Status Sensor, Max 2AMP @ 3VDC |
| Current Consumption | for 12VDC In Rush: 1.15A Normal: 0.25A / for 24VDC In Rush: 0.62A Normal: 0.14A |
| Operating Temperature | 14 to 104°F (-10 to 40°C) |
| LED | Purple Wire: COM Blue Wire: RED LED Orange Wire: GREEN LED |
| Request to Exit Input | NO, momentary contact. Bolt will remain retracted as long as Brown Wire and Yellow Wire are contacted |
| Relock Time Delay | 0, 3, 6, or 10 sec |

Bi-Color LED Status

| | |
|------------------------|------------------------------|
| Extend Successfully | Green blinks every 5 seconds |
| Wait for Extend | Red blinks fast |
| Delay Period | Red blinks slowly |
| Wait for Delay Start | Red on (B Setting only) |
| Bolt Remains Retracted | Red/Green blinks alternately |

Sounder Status

| | |
|----------------------|--------------------------|
| Extend Successfully | Beep! Beep!. |
| Extend Fail | Beep!...Beep! 10 Seconds |
| Retract Successfully | Beep! |

Electric Deadbolt Installation Instructions (Continued)

Operation Description

Time Delay Settings: FL & FUL

Mode "A" = Unlock Timer 0-10 sec. Instant relock upon closing door.

Mode "B" = Unlock timer 0-10 sec. Delayed relock upon door closing (= to unlock time)

0 sec: approx. 3-second unlock, instant relock in Mode "B".

3 sec: 3 second delay relock

6 sec: 6 second delay relock

10 sec: 10 second delay relock

NOTE: Power must be cycled when the time delay is changed otherwise previous setting applies.

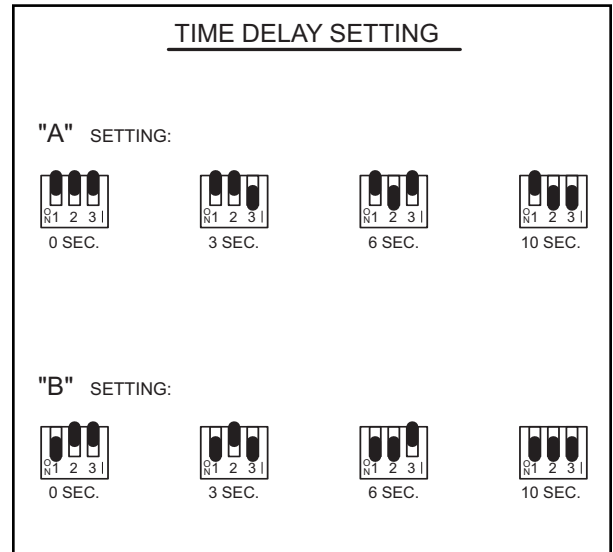


Figure 1. Installation

Figure 2. Dimension

