

CompPro® Compression Connectors for LMR®-400, LMR®-600 and Equivalent Braided Cables

ADVANTAGES

Designed to excel in harsh environments

Foolproof Field Installation: One minute installation process

Waterproof Design: external sealing not required

Rugged Design

Patented Compression Technology

Specifications

Impedance: 50 Ohm

Operating Temperature: -67° F to +185° F / -55° C to +85° C

Moisture Resistance Test
MIL-STD-202F, Method 106° F

Mechanical Shock Test:
MIL-STD-202F, Method 213B,
Test Condition C

Corrosion Test: MIL-STD-1344A,
Method 1001.1, Test Condition A

Thermal Shock Test:
MIL-STD-202F, Method 107G,
Test Condition A-1,
Low Temp -55° C

Vibration Test: IEC 68, PART 2-6

Minimum Connector Retention
Tensile Force: 200lbs.

Immersion Test: IEC 529:
1989, IP68

Immersion Depth: 12" / 0.31 m

Water Jetting Test: IEC 529:
1989, IP66



7/16 DIN Male



N Male



N Female



TNC Male

Install Confidence. Every Time & Every Where.

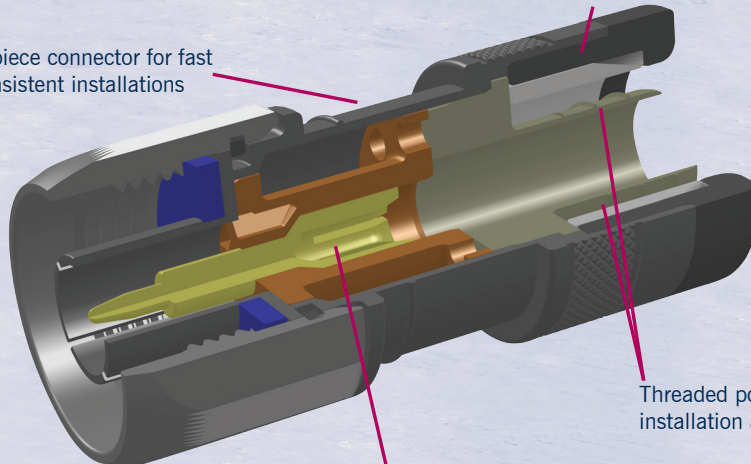
Comp Pro® the last connector you will need to install!

The Comp Pro® Product Line utilizes a patented compression technology that offers revolutionary advantages for a water-tight connection, easier installation, and improved system reliability on braided cables.



Wide 360° contact and integrated air tight weather seal held in place by patented technology and material

Single piece connector for fast and consistent installations



Threaded post for easy installation and strong hold

360° center conductor contact for optimal signal transmission

*Notes: Specifications subject to change without notice.
Comp Pro is a registered trademark of RF Industries.
LMR is a registered trademark of Times Microwave Systems.*

Connectors

Connectors for LMR®-400 type cable



COMP-DM-400
7-16 DIN Male



COMP-NF-400
N Female



COMP-NM-400
N Male



COMP-NM-400PL
N Male
Fits LMR®-400-LLPL Cable



COMP-NRA-400
N Male
Right Angle



COMP-TM-400
TNC Male



COMP-TM-400PL
TNC Male
Fits LMR®-400-LLPL Cable



COMP-TRA-400
TNC Male
Right Angle

Connectors for LMR®-600 type cable



COMP-NM-600
N Male

Kits and Tools



Pouch-50
Toolbag



SDT400-50
Stripping
Prep Tool



RC400-50
Replacement
Blades (2 pack)



SDT600-50
Stripping
Prep Tool



RC600-50
Replacement
Blades (2 pack)



CXC
Cable Cutter



MCAP400
Marking Cap
(2 pack)



MCAP600
Marking Cap
(2 pack)



PEN-50
Marking Pen



RFA-4420
Center Conductor
Prep Tool



IT50NM
Insertion
Tool for N
Connector



IT50TA
Adapter,
Insertion Tool
for TNC
Connector



TW1412
Torque Wrench for
N Connector



TW08X14MM
Torque Wrench for
TNC Connector



TQ-114-F18
Torque Wrench for
7-16 DIN Connector



NW-BTS-JMA
N Male
Installation Tool
3/4 inch



VT500
Compression Tool
for 400 Cable



VT600
Compression Tool
for 600 Cable

KIT400 for N connectors with LMR®-400 cable type
KIT400NT for N and TNC connectors with LMR®-400 cable type
KIT600 for N connectors with LMR®-600 cable type

TOOLS	KIT400	KIT400NT	KIT600
Pouch-50	X	X	X
CXC	X	X	X
SDT400-50	X	X	
RC400-50	X	X	
SDT600-50			X
RC600-50			X
RFA-4420			
MCAP400	X	X	
MCAP600			X
PEN-50	X	X	X
IT50NM	X	X	X
IT50TA		X	
NW-BTS-JMA			
TW1412	X	X	X
TW08X14MM		X	
TQ-114-F18			
VT500	X	X	
VT600			X

Notes: Specifications subject to change without notice. Comp Pro is a registered trademark of RF Industries. LMR is a registered trademark of Times Microwave Systems.