

## DS-1605ZJ

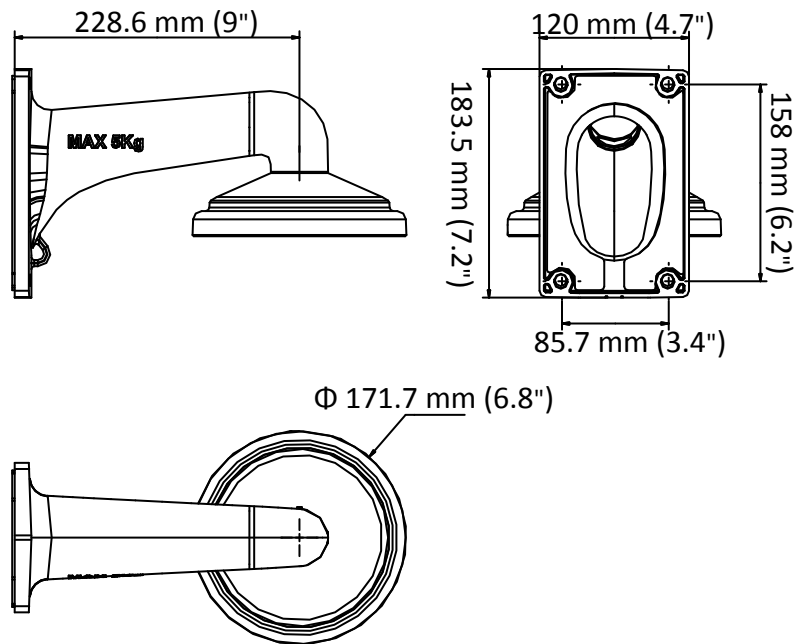
Wall Mounting Bracket for 4-inch PTZ Camera



### Feature

- Aluminum alloy material with surface spray treatment
- Waterproof design

### Dimension



### Available Model

DS-1605ZJ

### Parameter

Model	DS-1605ZJ
Parameters	Wall Mounting Bracket for 4-inch PTZ Camera
Appearance	Hikvision White
Material	Aluminum Alloy
Dimension	$\Phi$ 171.7 mm $\times$ 158 mm $\times$ 228.6 mm (6.8" $\times$ 6.2" $\times$ 9")
Weight	1120 g (3.57 lb.)

### Note

- The bracket should be installed on the flat surface.
- The waterproof rubber is necessary for the outdoor application.
- The wall must be capable of supporting at least 3 times as much as the total weight of the camera and the bracket.
- The bracket's maximum load capacity is 5 Kg (11 lb.).