



DITEK Corporation
ONE DITEK CENTER
1720 Starkey Road
Largo, FL 33771

INSTALL INSTRUCTIONS

DTK-120HW

This Surge Protective Device (SPD) is a high performance device, designed to provide protection for sensitive electronic loads connected to service panels, fire panels, or where the SPD is directly connected to the electronic device. Maximum protection will only be achieved if the SPD is properly installed.

Please read and follow the installation instructions carefully.

NOTICE: This SPD should be installed and grounded, by a licensed contractor, per the applicable requirements of the NEC and the following instructions.

APPLICATION

Type 2 SPD for hardwired parallel installations on 120 VAC single branch circuits.

INSTRUCTIONS:

Caution: Measure all voltages to insure applied voltage does not exceed the voltage rating of the unit. Improper installation voids the warranty.

NOTE: Suitable for use on a circuit capable of delivering not more than 10,000 rms symmetrical Amperes, when protected by a 20 Ampere circuit breaker rated 120 Volts minimum. This SPD Contains no serviceable parts.

1. Turn off the power at the circuit breaker or main before beginning installation.
 2. Remove front cover from the panel.
 3. Remove 3/4" knockout on side of panel box.
 4. Unscrew nut from unit.
 5. Feed all wires and the DTK-120HW nipple through knockout hole then through nut, tighten nut securing the unit.
 6. For **ALARM/CONTROL PANEL INSTALLATION**, refer to diagram #1. In this application, the DTK-120HW's leads must be as short as possible to the connection point. Use a 3-position barrier strip, not provided. Allow the unit reaction time by maintaining no less than 3' of conductor length between the connection point and the equipment it is protecting.
 7. For **ELECTRICAL PANEL/DISCONNECT INSTALLATION**, refer to diagram #2. In this application, connect the DTK-120HW to the load side of the fuse or circuit breaker. Ensure the leads are as short as possible with the ground wire being the shortest of all.
 8. For **JUNCTION BOX INSTALLATION**, refer to diagram #3. In this application, ensure the DTK-120HW's leads are as short as possible to the connection point. Use a 3-position barrier strip, not provided. Allow the unit reaction time by maintaining no less than 3' of conductor length between the connection point and the equipment it is protecting.
 9. After all connections have been made and no hazards exist, restore power.
- NOTE:** The LED must be on, if the LED is off than surge protection is compromised and the unit must be replaced.

Ground Resistance Rule: Max ground resistance is 25 ohms, 5 ohms or less is optimum. This cannot be an assumed value and must be measured to assure proper grounding.

DITEK Technical Support Available 24/7

1-888-472-6100

www.ditekcorp.com

Updated By: R. Mitchell 8-24-15
Checked By: R. Mitchell 6-22-16

Doc # INT-100008-001
Part No. 191509 Rev. 7

INSTALLATION



DITEK Corporation
ONE DITEK CENTER
1720 Starkey Road
Largo, FL 33771

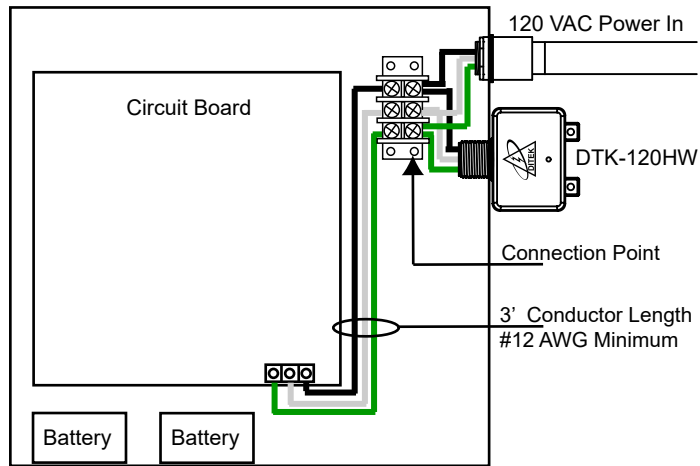
INSTALL INSTRUCTIONS

DTK-120HW

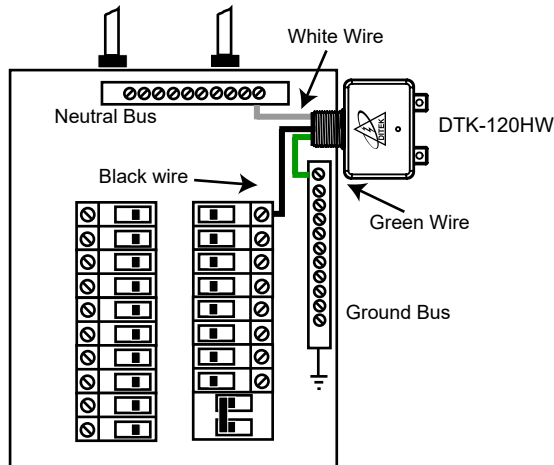
Illustrations Page

INSTALLATION

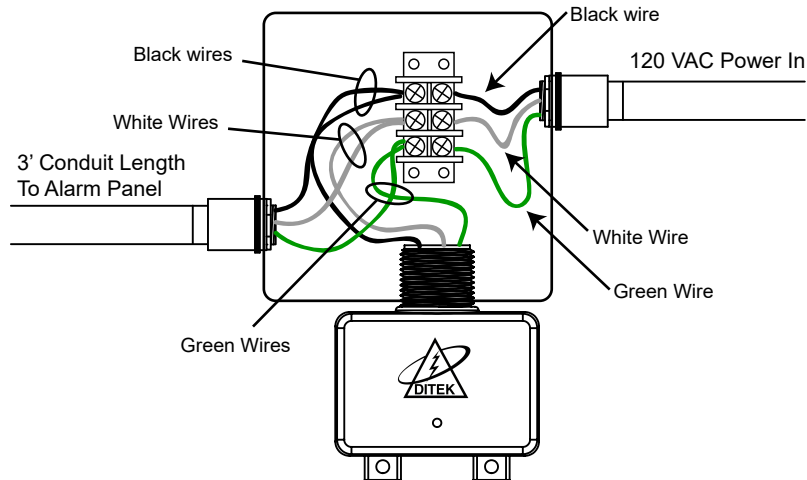
ALARM PANEL/CONTROL PANEL INSTALLATION DIAGRAM #1



ELECTRICAL PANEL/DISCONNECT INSTALLATION DIAGRAM #2



JUNCTION BOX INSTALLATION DIAGRAM #3



DITEK Technical Support Available 24/7

1-888-472-6100

www.ditekcorp.com

Updated By: R. Mitchell 8-24-15

Checked By: R. Mitchell 6-22-16

Doc # INT-100008-001
Part No. 191509 Rev. 7