

# E8TURBOX5W

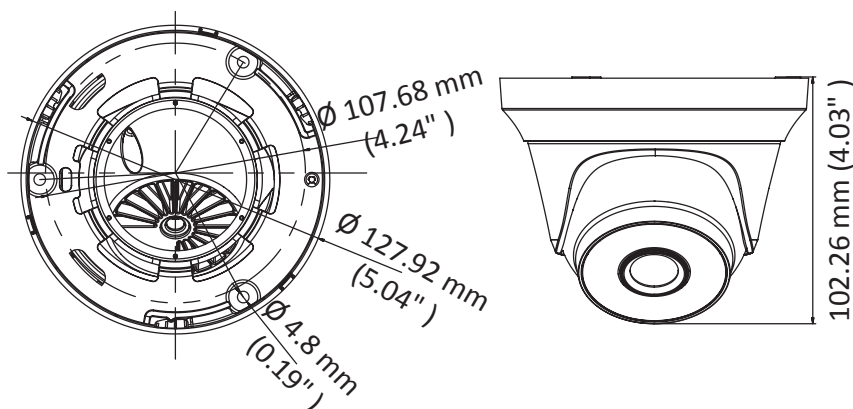
## 2 MP EXIR Turret Camera

### Key Features

- 2 MP high-performance CMOS
- Ultra low light
- 1920 × 1080 resolution
- 2.8 mm, 3.6 mm, 6 mm fixed lens
- OSD menu, 3D DNR, 120 dB true WDR, day/night switch
- EXIR 2.0, smart IR, up to 50 m IR distance
- 4 in 1 video output (switchable TVI/AHD/CVI/CVBS)
- IP66



### Dimension



# Specifications

| Camera                   |  |
|--------------------------|--|
| Image Sensor             | 2 MP CMOS image sensor   |
| Signal System            | PAL/NTSC   |
| Video Frame Rate         | PAL: 1080p@25fps<br>NTSC: 1080p@30fps  |
| Resolution               | 1920 (H) ×1080 (V)   |
| Min. Illumination        | 0.005 Lux@(F1.2, AGC ON), 0 Lux with IR                                      |
| Shutter Time             | PAL: 1/25 s to 1/50, 000 s<br>NTSC: 1/30 s to 1/50, 000 s                    |
| Lens                     | 2.8 mm   |
| Horizontal Field of View | 106°(2.8 mm), 82°(3.6 mm), 51°(6 mm)   |
| Lens Mount               | M12  |
| Day & Night              | IR cut filter  |
| Angle Adjustment         | Pan: 0° to 360°, Tilt: 0° to 180°, Rotation: 0° to 360°                      |
| Synchronization          | Internal synchronization   |
| WDR (Wide Dynamic Range) | 120 dB   |
| Menu                     |  |
| AGC                      | High/Medium/Low  |
| D/N Mode                 | Auto/Color/BW (Black and White)  |
| Image Mode               | STD/HIGH-SAT   |
| BLC                      | Support  |
| WDR                      | Support  |
| Language                 | English  |
| Functions                | Brightness, Sharpness, 3D DNR, Mirror, Smart IR                              |
| Interface                |  |
| Video Output             | 1 HD analog output   |
| Switch Button            | TVI/AHD/CVI/CVBS   |
| General                  |  |
| Operating Conditions     | -40 °C to 60 °C (-40 °F to 140 °F), Humidity: 90% or less (non-condensation) |
| Power Supply             | 12 VDC ±25%  |
| Power Consumption        | Max. 4.6 W   |
| Protection               | Level IP66   |
| Material                 | Metal  |
| IR Range                 | Up to 50 m   |
| Dimensions               | Ø 127.92 mm × 102.26 mm (Ø 5.04" × 4.03")                                    |
| Weight                   | 440 g (0.97 lb.)   |