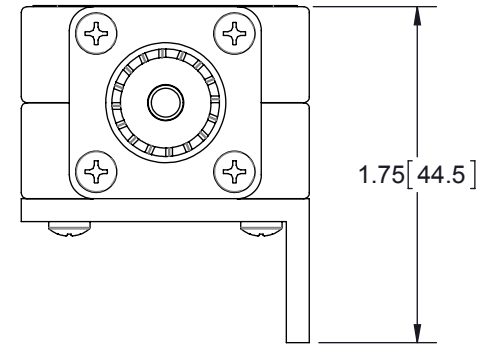
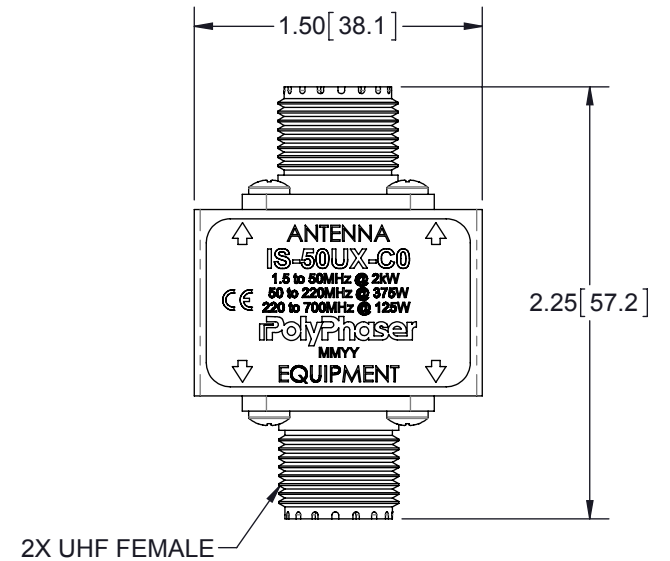
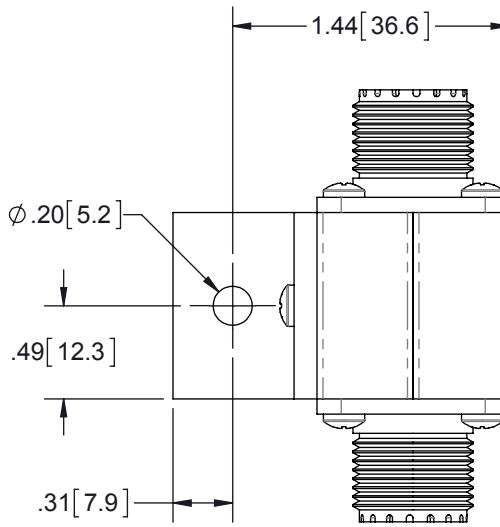
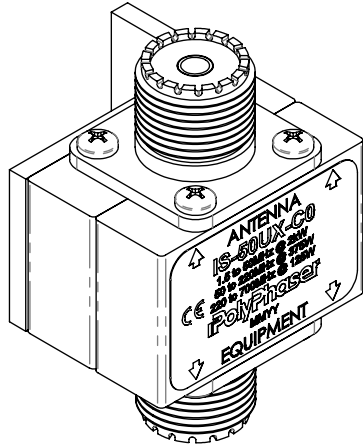


REVISIONS				
REV.	DESCRIPTION	ECN	DATE	APPROVED
J	REFER TO ECN	11976	8/29/13	KCB



MAXIMUM CHARACTERISTICS

APPLICATION:

For two way radio and SCADA applications.
Non-weatherized, Flange mount

SURGE:

50kA IEC 61000-4-5 8/20µs waveform 500J

TURN ON:

600Vdc ± 20%

TURN ON TIME:

2.5ns for 2kV/ns

FREQUENCY RANGE:

1.5MHz to 700MHz

VSWR:

≤1.2 to 1 over frequency range

INSERTION LOSS:

≤0.1dB over frequency range

MAX POWER:

2kW @ 1.5 to 50MHz

375W @ 50 to 220MHz

125W @ 220 to 700MHz

THROUGHPUT ENERGY:

≤10mJ 3kA 8/20µs waveform

TEMPERATURE:

Storage: -55°C to +85°C

Operating: -50°C to +50°C

VIBRATION:

1G at 5Hz to 100Hz

CE COMPLIANT

RoHS COMPLIANT

HARDWARE KIT INCLUDES:

QTY	DESCRIPTION
1	SCREW 10-32 X .50 SLOT F PAN 4-10 SS
1	SCREW 10-32x.50 SLOT MS PAN 18-8 SS
1	NUT 10-32 HEX 18-8 SS
2	WASHER 10 EXT TOOTH SS

CUSTOMER APPROVAL: _____ DATE: _____

ALL DIMENSIONS SHOWN ARE FOR REFERENCE ONLY.

<small>UNLESS OTHERWISE SPECIFIED LEADING DIMENSIONS ARE INCHES DIMENSIONS IN [] ARE MILLIMETERS</small> <small>TOLERANCES: FRACTIONS=± 1/32 .XX=± .03 ANGLES=± 1° .XXX=± .010</small> <small>NOTICE: THE INFORMATION AND DESIGN IN THIS DOCUMENT IS THE PROPERTY OF POLYPHASER CORPORATION. ALL RIGHTS RESERVED.</small>	<small>DRAWN</small> J. CALLISTER <small>ENG APPD</small> O. AKDAG <small>PRODUCT MGR</small> K. BARTEL <small>MARKETING APPD</small> R. MATHEUS <small>PROJECT NO.</small>	<small>DATE</small> 3/19/98 <small>DATE</small> 4/1/98 <small>DATE</small> 3/23/98 <small>DATE</small> 3/27/98	<small>SHEET</small> 1 OF 1 <small>SCALE</small> 1:1
	<small>TITLE</small> BROADBAND 1.5-700MHz R50 T.O. 600Vdc UHF FEM <small>CUSTOMER SPECIFICATION</small>		
	<small>DOCUMENT NAME</small> IS-50UX-C0-C	<small>SIZE</small> A	<small>CAGE</small> 61114

THESE COMMODITIES, TECHNOLOGY OR SOFTWARE WERE EXPORTED FROM THE UNITED STATES IN ACCORDANCE WITH THE EXPORT ADMINISTRATION REGULATIONS. DIVERSION CONTRARY TO U.S. LAW PROHIBITED.