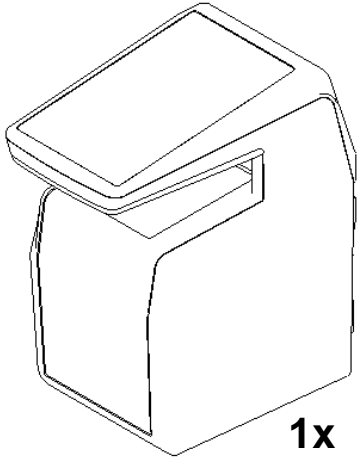
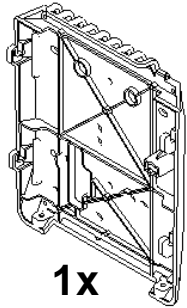


MorphoWave

Quick installation guide



1x



1x

293703596-B



1x



Quick
Installation
Guide

1x

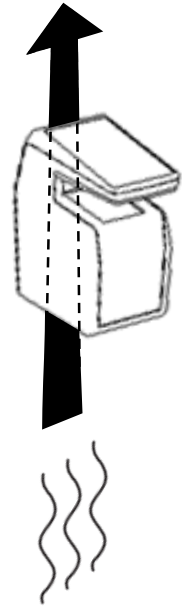


WEEE

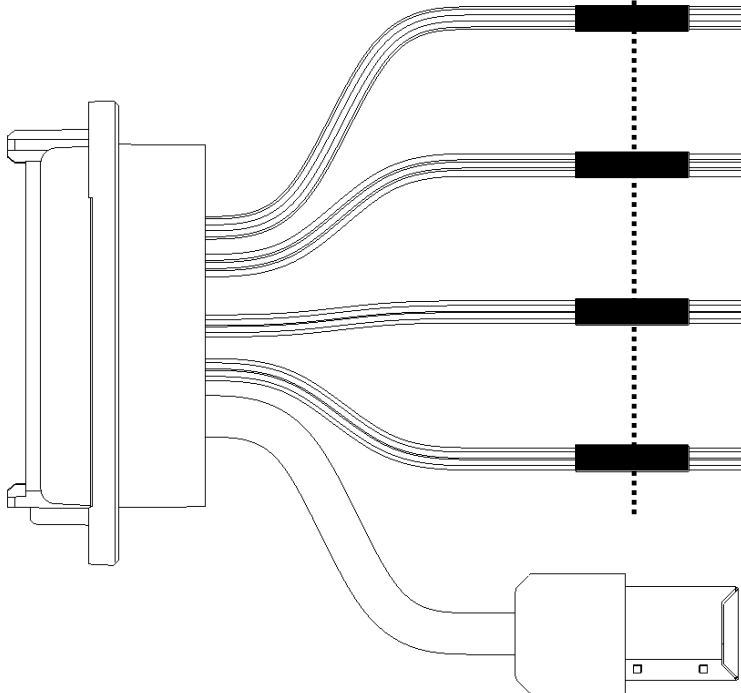


Detailed instructions are available at
Des instructions détaillées sont disponibles sur
El detalle de las instrucciones está disponible en
www.biometric-terminals.com

Head office :
11, boulevard Gallieni - 92130 Issy-les-Moulineaux



950 ± 100 mm



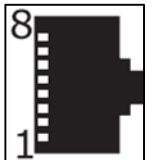
13	RLY_NC	Orange / White
14	RLY_NO	Yellow / White
12	RLY_COM	Grey / White
5	SWITCH_PIN1	Light Blue
6	SWITCH_PIN2	Pink
1-3	Power +12V	Red
2-4	Power GND	Black

293700610-A	YYYY/WW	Manufacturer
7	RS485_RX_A	Blue / Black
8	RS485_TX_Z	Green / White
9	RS485_RX_B	Blue / White
10	RS485_TX_Y	Green / Black
11	RS485_GND	Black / Red

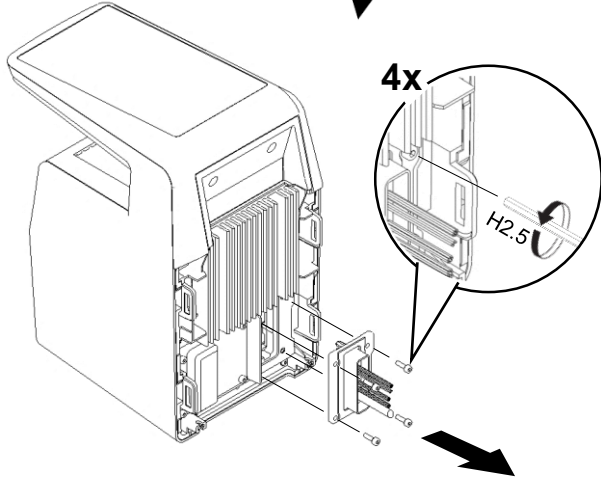
19	GPI2	Orange / Black
20	GPO2	Yellow / Black
17	GPI1	Orange/Red
18	GPO1	Yellow / Red
15	GPI0	Orange
16	GPO0	Yellow
22	GPIO_GND	Black / Red

25	WIEGAND_LEDOUT1	Blue
28	WIEGAND_LEDOUT2	Blue / Red
23	WIEGAND_IN1	White / Red
24	WIEGAND_OUT0	Green
26	WIEGAND_OUT1	White
21	WIEGAND_IN0	Green / Red
27	WIEGAND_GND	Black / Red

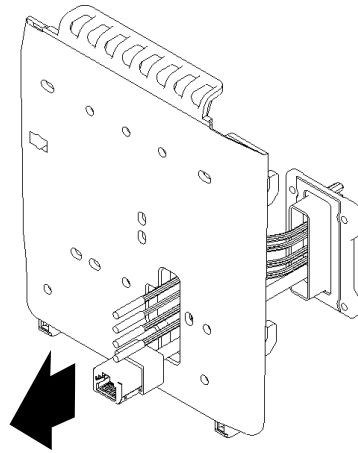
36	BI_DA+	Orange / White	1
34	BI_DA	Orange	2
40	BI_DB+	Green / White	3
38	BI_DB	Green	6
35	BI_DC+	Blue	4
33	BI_DC	Blue / White	5
39	BI_DD+	Brown / White	7
37	BI_DD	Brown	8
31	BI_GND	Drain wire (no color)	Shell



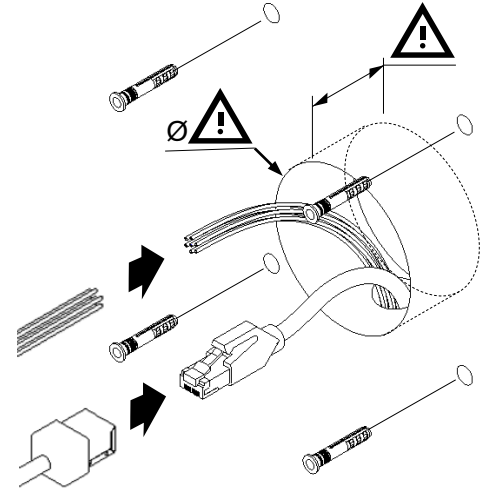
1  



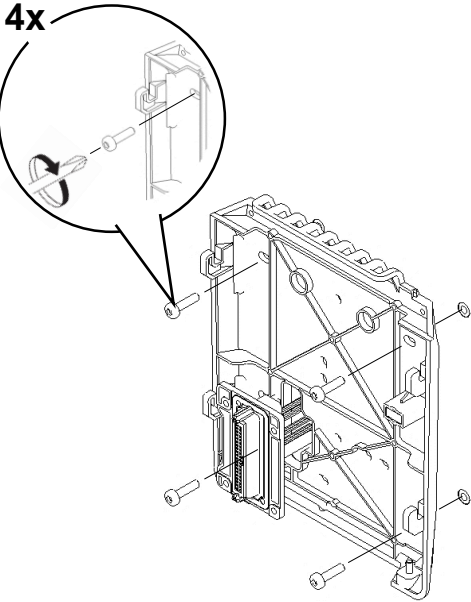
2



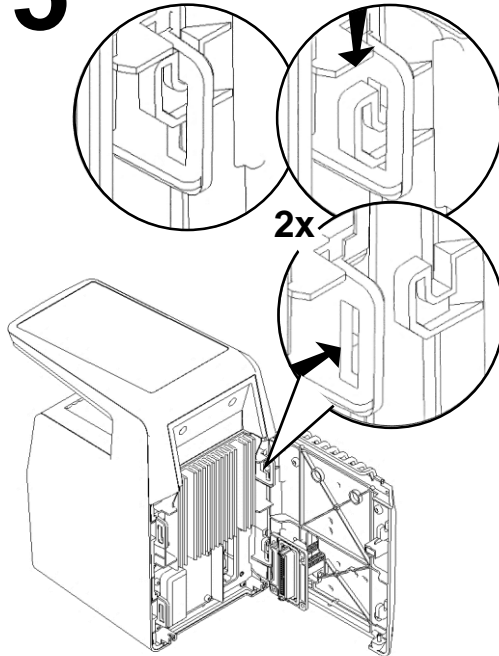
3



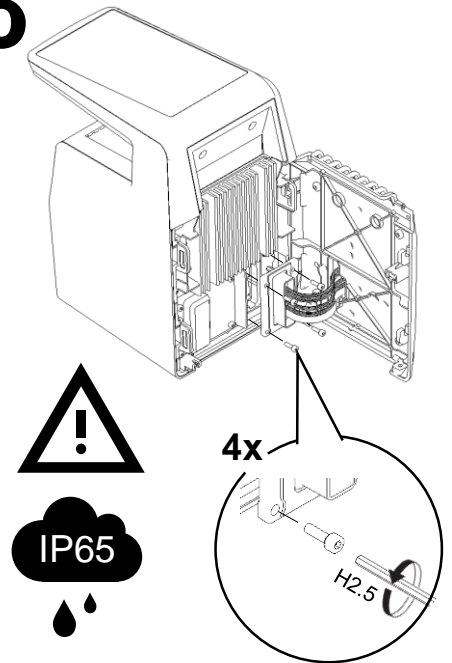
4



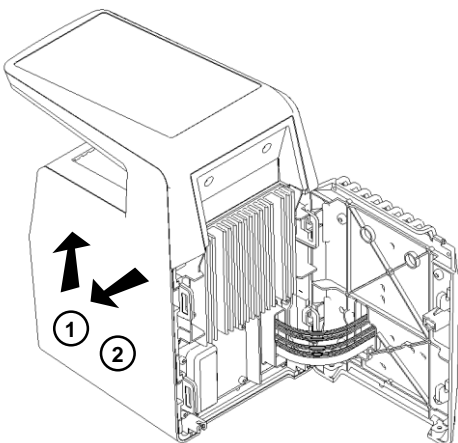
5



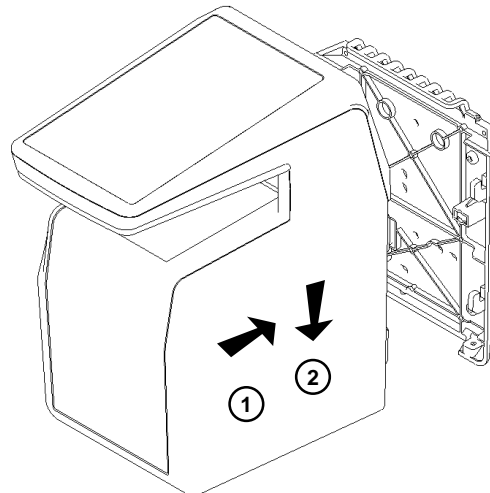
6



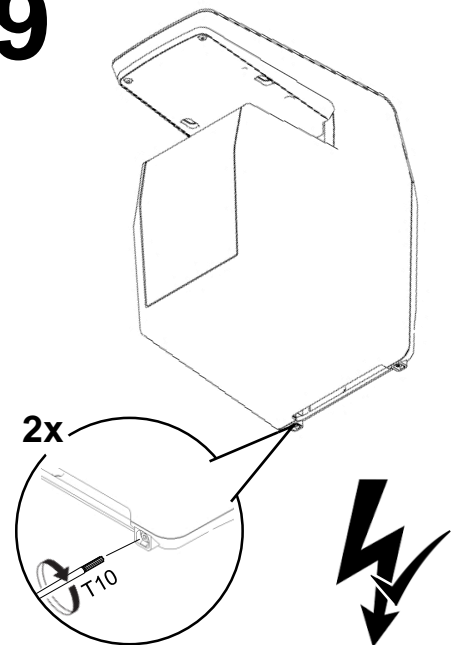
7



8



9



SCALE 1:1

