

HRD900

900+ TVL HR+ 2.0 IR Dome Camera

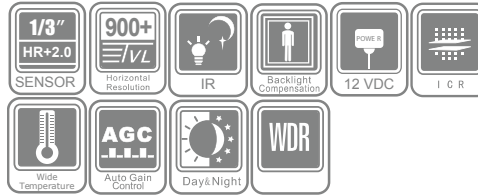


HRD900W

HRD900

Key Features

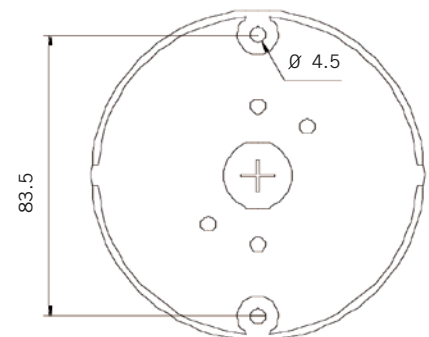
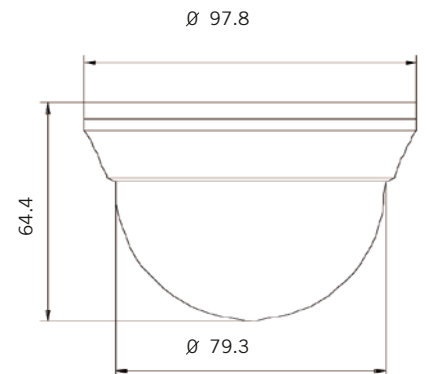
- 900+ TVL horizontal resolution.
- True day night.
- WDR.
- 3.6 mm fixed lens, 0.1 lux/F1.2.
- 20 m IR distance.
- Wide operating temperature range: -40 to 60 °C (-40 to 140 °F).
- Smart IR.



Specifications

HRD900W / HRD900		
Camera	Image Sensor	1/3" HR+2.0
	Signal System	PAL/NTSC
	Effective	Pixels 976 (H) × 496 (V)
	Min. Illumination	0.1 Lux @ (F1.2,AGC ON), 0 Lux with IR
	Shutter speed	PAL: 1/50 s to 1/100,000 s NTSC: 1/60 s to 1/100,000 s
	Lens	3.6 mm
		Angle of view: 71°
	Lens Mount	Board
	Angle Adjustment	Pan: 0 - 355°, Tilt: 0 - 90°, Rotation: 0 - 355°
	Day & Night	IR cut filter with auto switch
Horizontal Resolution	800+ TVL	
Synchronization	Internal synchronization	
Video Output	1Vp-p composite output (75 Ω/BNC)	
S/N Ratio	More than 62 dB	
General	Working Temperature/ Humidity	-40 °C - 60 °C (-40 °F - 140 °F) Humidity 90% or less (non-condensing)
	Power Supply	12 Vdc
	Power Consumption	Max. 4 W
	IR Range	20 m
	Dimensions	97.8 x 64.4 mm (3.85" x 2.54")
	Weight	300 g (0.66 lb)

Dimensions



Unit mm

* All specifications are subject to change without notice.

* All brand names and registered trademarks are the property of their respective owners.