

Farenhyt



SILENT
KNIGHT

by Honeywell

Intelligent Devices

Intelligent Thermal and Rate-of-Rise Thermal Detectors

IDP-Heat, IDP-Heat-HT, & IDP-Heat-ROR

The IDP-Heat, IDP-Heat-HT, and IDP-Heat-ROR are plug in thermal detectors, with integral communication, that provide features that surpass conventional detectors. These thermal detectors are for use with Silent Knight IFP-series fire alarm control panels (FACPs).

Detector sensitivity can be programmed from the FACP software. Sensitivity is continuously monitored and reported to the FACP. Point ID capability allows each detector's address to be set with rotary address switches, providing exact detector locations for selective maintenance when chamber contamination reaches unacceptable levels.

IDP-Heat is a fixed temperature thermal detector that uses a thermistor sensing circuit to produce 135°F (57°C) fixed thermal detection.

IDP-Heat-HT is a variable high temperature detector that provides high temperature detection at 135°F – 190°F (57°C – 88°C).

IDP-Heat-ROR is a fixed temperature and rate-of-rise thermal detector that uses a thermistor sensing circuit to produce 135°F (57°C) thermal protection.

Features

- Sleek, low-profile design
- Reliable analog communications for trouble-free operation
- Age resistant polymer housing
- Innovative thermistor sensing circuit
- Superior EMI resistance for reliability
- Variety of mounting options to meet any application
- Dual LED indicators for 360° visibility
- Detector transmits signal to indicate maintenance is required
- Plug-in mounting provides ease of installation
- Optional remote LED annunciator (System Sensor® PN RA100Z)
- Tamper-proof feature available on mounting bases
- Rotary address switches for fast installation
- UL Listed

Installation

The IDP thermal detectors plug into a compatible IDP-series detector base.

Agency Listings



MEA

383-02-E Vol. VI



IDP-Heat Installed in the B210LP Mounting Base
(Base Not Included)

Compatibility

The IDP-Heat, IDP-Heat-HT, and IDP-Heat-ROR are compatible with the following IDP-series detector bases:

- B210LP 6" Mounting Base
- B501 4" Mounting Base
- B224BI 6" Isolator Base
- B224RB 6" Relay Base
- B200SR Sounder Base

The IDP-Heat-HT, and IDP-Heat-ROR are compatible with the following FACPs:

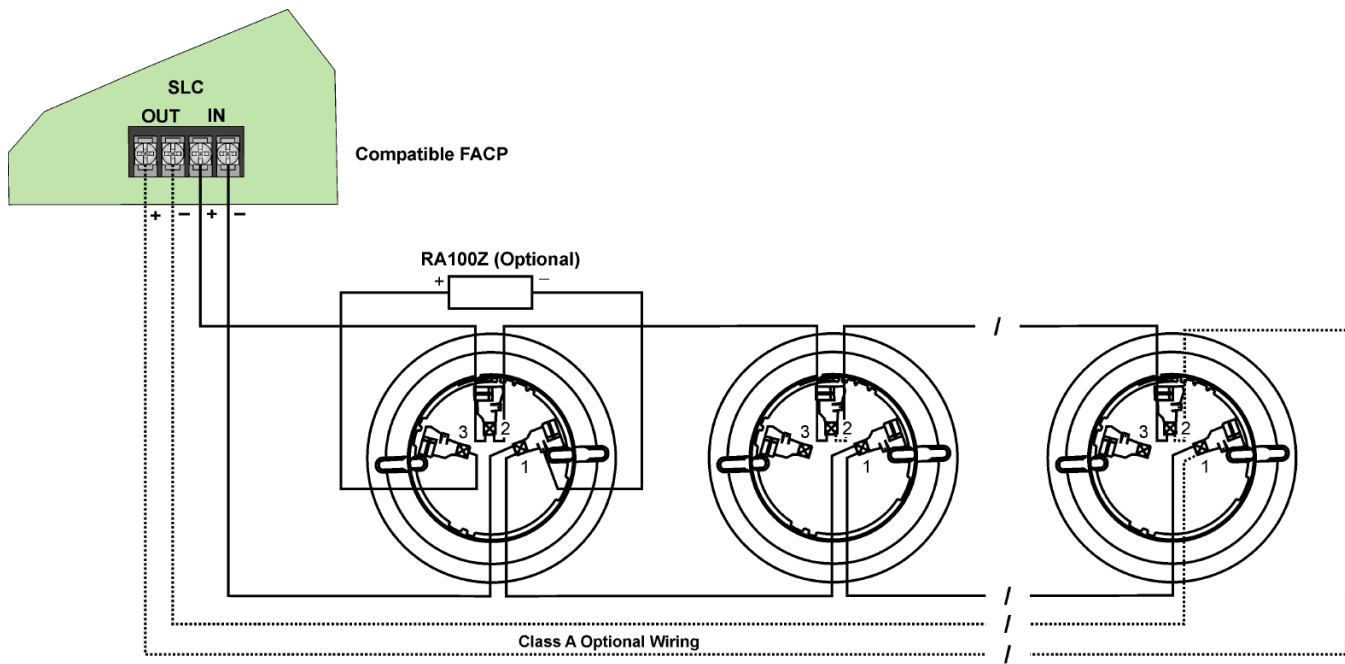
- IFP-2000 / RPS-2000 Intelligent Fire Panel
- IFP-1000 / ECS Intelligent Fire Panel
- IFP-100 / ECS Intelligent Fire Panel
- IFP-50 Intelligent Fire Panel

The IDP-Heat is compatible with the following FACPs:

- IFP-2000 / RPS-2000 Intelligent Fire Panel
- IFP-1000 / ECS Intelligent Fire Panel
- IFP-100 / ECS Intelligent Fire Panel
- IFP-50 Intelligent Fire Panel
- IFP-25 Intelligent Fire Panel

P/N 350285 Rev F

Copyright © 2013 Honeywell International Inc.



Wiring IDP-Series Detector Mounting Bases

Specifications*

Physical

Height: 2.0" (5.0 cm)
 Diameter: 4.1" (10.4 cm)
 Shipping Weight: 4.8 oz (136 g)

Electrical

Operating Voltage: 15 – 32 VDC
 Standby Current
 IDP-Heat:
 200 μ A @ 24 VDC (no communication; LED off)
 300 μ A @ 24 VDC (one communication every 5 sec with LED enabled)
 IDP-Heat-HT & IDP-Heat-ROR:
 150 μ A @ 24 VDC (no communication; LED off)
 200 μ A @ 24 VDC (one communication every 5 sec with LED enabled)
 Alarm Current: 6.5 mA @ 24 VDC max (with LED on)

Environmental

Operating Temperature
 IDP-Heat & IDP-Heat-ROR: -4° – 100°F (-20°C – 38°C)
 IDP-Heat-HT: -4° – 150°F (-20°C – 66°C)

Humidity: 10% – 93% non-condensing

Thermal Ratings

IDP-Heat: Fixed temperature setpoint 135°F (57°C)
 IDP-Heat-HT: High temperature heat 135°F – 190°F (57°C – 88°C)

IDP-Heat-ROR: Rate-of-rise detection 15°F/min (9°C/min)

Ordering Information

IDP-Heat	Fixed Temperature Thermal Detector
IDP-Heat-HT	Fixed High Temperature Thermal Detector
IDP-Heat-ROR	Fixed Temperature and Rate-of-Rise Thermal Detector

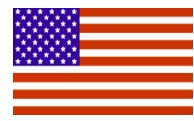
Accessories

RA100Z	Remote LED Annunciator.
XR2B	Detector Removal Tool. A removal and replacement tool for IDP plug-in detectors. Includes the T55-127-000.
M02-04-00	Replacement Test Magnet.
M02-09-00	Test Magnet with Telescoping Handle.
XP-4	Extension Pole for XR2B. Extends from 5 – 15 ft.
T55-127-000	Detector Removal Head.
BCK-200B	Black Detector Kit. For IDP-series detectors.

* Unless otherwise noted, specifications apply to all IDP thermal detectors.



This document is not intended to be used for installation purposes. We try to keep our product information up-to-date and accurate. We cannot cover all specific applications or anticipate all requirements. All specifications are subject to change without notice. For more information, contact Silent Knight 12 Clintonville Road, Northford, CT 06472-1610 Phone: (800) 328-0103, Fax: (203) 484-7118. For Technical Support, Please call 800-446-6444. www.farenhyt.com



Made in the U.S.A.