



## Multiple Interphone **KIP-620ML**

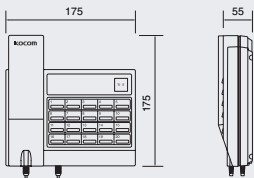
### Function

- 20Ch Multiple Interphone
- Master(KIP-620ML) & Sub(KIP-300) Phone system
- LED Indicator for All line
- Paging function to selected house.
- Easy Wiring & Installation (Terminal Box, Mount on the Wall or Desk)

### Specifications

- Power : DC 24V / 1A
- Power consumption : Max 10W
- Wiring : 1+n(Non polarity)
- Communication Type: Handset Type
- Mount type : Surface mount & desktop
- Dimensions : 175(W) X 175(H) X 55(D)mm

### Dimension



## Sub Interphone **KIP-300**

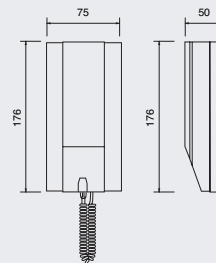
### Function

- Sub unit for KIP-620ML
- Gentle Electronic sound
- Easy Installation (2 Wire non-polarity)

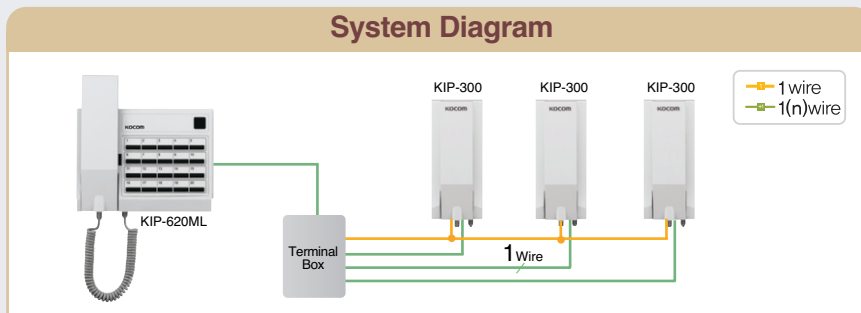
### Specifications

- Power : Power from KIP-620ML
- Power consumption : Max 1W
- Wiring : 2 wire non-polarity
- Mount type : Surface mount
- Assurance temperature : 0°C ~ +50°C
- Dimension (mm) : 75(W) x 176(H) x 50(D)

### Dimension



### System Diagram



### Wiring Diagram

