

KENWOOD

Document Copyrights

Copyright 2006 by Kenwood Corporation. All rights reserved.

No part of this manual may be reproduced, translated, distributed, or transmitted in any form or by any means, electronic, mechanical, photocopying, recording, or otherwise, for any purpose without the prior written permission of Kenwood.

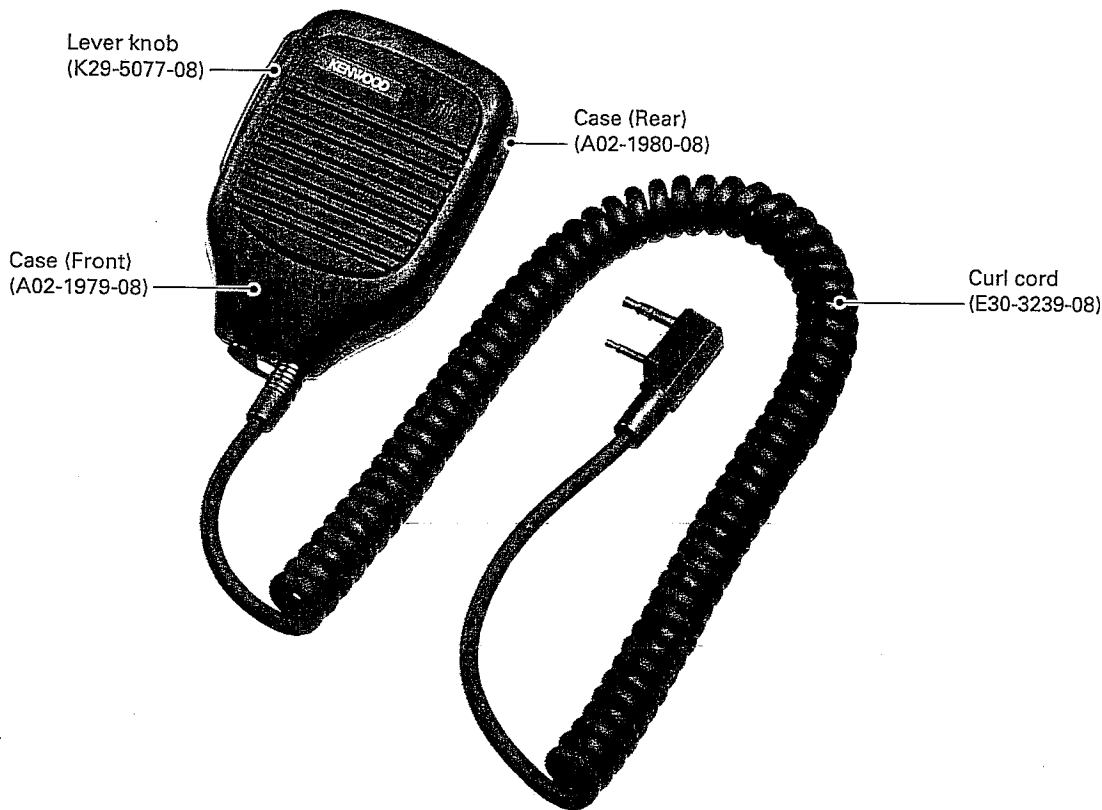
Disclaimer

While every precaution has been taken in the preparation of this manual, Kenwood assumes no responsibility for errors or omissions. Neither is any liability assumed for damages resulting from the use of the information contained herein. Kenwood reserves the right to make changes to any products herein at any time for improvement purposes.

SPEAKER MICROPHONE
KMC-21
SERVICE MANUAL

KENWOOD

© 1996-5 PRINTED IN JAPAN
B51-8336-00 (N) 1456



OVERVIEW

LMR handy transceiver speaker microphone

FEATURE

- Has an EXT. SP jack that mates with a 2.5mm diameter mono plug. This jack comes with a cap.
- Equipped with a 360 degree rotary clip of click type.

SPECIFICATIONS

Microphone

Nominal impedance 1.9k Ω
Nominal sensitivity -57dB \pm 5.5dB at 300Hz

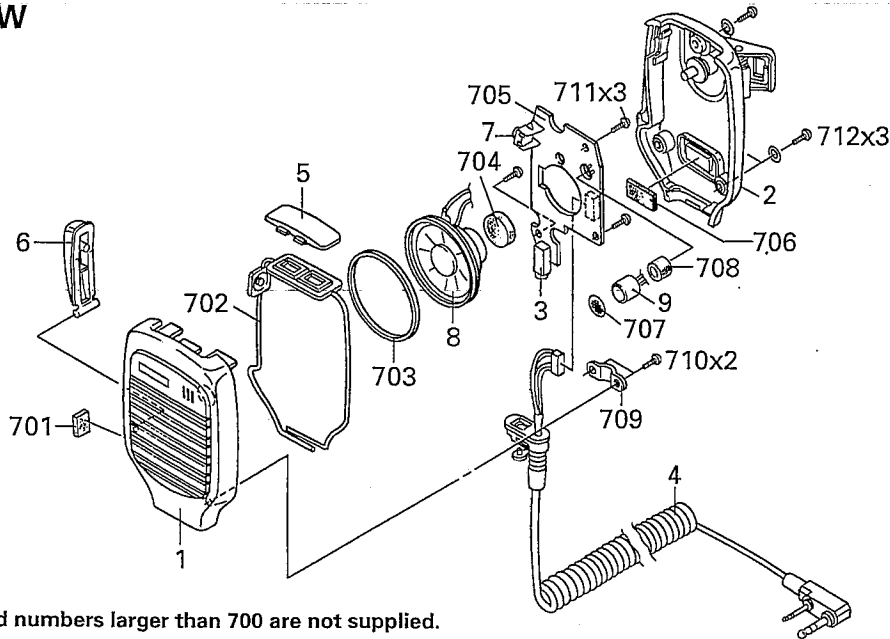
Speaker

Nominal impedance 8 Ω
Specification input 0.6W
Maximum input 1.5W
Dimensions [W x H x D] (): Including projections 56 x 78.5 (93.5) x 25.8 (39) mm
Weight (Including curl cord) Approx. 0.12kg

KMC-21

EXPLODED VIEW / PARTS LIST / SCHEMATIC DIAGRAM

EXPLODED VIEW



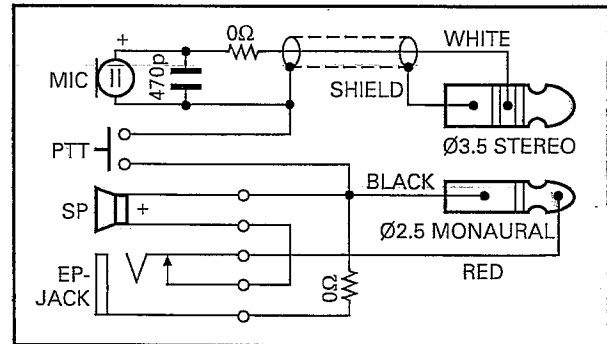
Parts with the exploded numbers larger than 700 are not supplied.

PARTS LIST

*: New Parts

Ref. No.	New Parts	Parts No.	Description
1	*	A02-1979-08	CASE (FRONT)
2	*	A02-1980-08	CASE (REAR) WITH CLIP
3	*	E11-0453-08	PHONE JACK (2.5D)
4	*	E30-3239-08	CURL CORD
5	*	F07-1414-08	COVER
6	*	K29-5077-08	LEVER KNOB
7	*	S70-0444-08	TACT SWITCH
8	*	T07-0335-05	SPEAKER
9	*	T91-0564-08	MICROPHONE ELEMENT

SCHEMATIC DIAGRAM



KENWOOD CORPORATION

14-6, Dogenzaka 1-chome, Shibuya-ku, Tokyo 150, Japan

KENWOOD SERVICE CORPORATION

P.O. BOX 22745, 2201 East Dominguez Street, Long Beach, CA 90801-5745, U.S.A.

KENWOOD ELECTRONICS LATIN AMERICA S.A.

P.O. BOX 55-2791 Piso 6 Plaza Chase Cl. 47 y Aquilino de la Guardia Panama, Republic of Panama

KENWOOD ELECTRONICS CANADA INC.

6070 Kestrel Road, Mississauga, Ontario, Canada L5T 1S8

KENWOOD ELECTRONICS DEUTSCHLAND GMBH

Rembrücker Str. 15, 63150 Heusenstamm, Germany

KENWOOD ELECTRONICS BENELUX N.V.

Mechelsesteenweg 418 B-1930 Zaventem, Belgium

KENWOOD ELECTRONICS FRANCE S.A.

13, Boulevard Ney, 75018 Paris, France

KENWOOD ELECTRONICS U.K. LIMITED

KENWOOD House, Dwight Road, Watford, Herts., WD1 8EB United Kingdom

KENWOOD ELECTRONICS NEDERLAND B.V.

Amsterdamseweg 35, 1422 AC Uithoorn, The Netherlands

KENWOOD ELECTRONICS ITALIA S.p.A.

Via G. Sirtori, 7/9 20129 Milano, Italy

KENWOOD IBERICA S.A.

Bolivia, 239-08020 Barcelona, Spain

KENWOOD ELECTRONICS AUSTRALIA PTY. LTD.

(A.C.N. 001 499 074)

P.O. Box 504, 8 Figtree Drive, Australia Centre, Homebush, N.S.W. 2140, Australia

KENWOOD & LEE ELECTRONICS, LTD.

Unit 3712-3724, Level 37, Tower one Metroplaza, 223 Hing Fong Road, Kwai Fong, N.T., Hong Kong