

## L-PCM06A Ceiling Loudspeaker



L-PCM06A is a cost-competitive ceiling loudspeaker which has an excellent audio performance and aesthetic appealing enclosure. This full range loudspeaker features a high sound pressure level and a wide frequency response range. It is intended for use in verbal and music public address system where high quality sound and wide exterior compatibility are desired.

L-PCM06A has a built-in 6W dual-cone speaker and a 100V matching transformer mounted on the back. The round metal front grille is well fitted in the front. The loudspeaker is CE and RoHS compliant.

### Technical Specifications

#### Electrical

Max power	9 W
Rated power	6 W
Power tapping	6 W / 3 W / 1.5 W
Sound pressure level at 6 W/1 W (4k Hz,1m)	98 dB / 92 dB
Frequency response (-10 dB)	150 Hz ~20k Hz
Dispersion angle (1k Hz / -6 dB)	160°
Rated input voltage	100 V / 70 V
Rated impedance	1.7k Ω / 3.3k Ω / 6.7 Ω
Connection	Plastic terminal blocks

#### Mechanical

Dimensions	φ 180 mm x 55 mm
Hole cut-out size	φ 150 mm
Weight	0.71 kg
Color	White (RAL9010)
Speaker size	127 mm (5 inch)

#### Environmental

Operating temperature	-25°C to +55°C
Storage temperature	-40°C to +70°C
Relative humidity	<95%

- Clear and stereo audio performance with dual-cone speakers
- Cone with gasket designed for longer operation life
- Sturdy press fit metal grille appearance
- Higher sensitivity
- Simple power setting
- Excellent crash and rust resistant performance
- Flush-mounting system for fast and easy installation
- CE and RoHS compliant

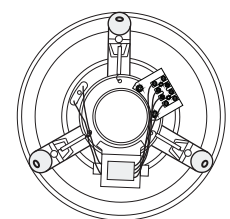
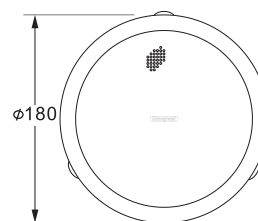
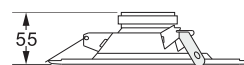
### Installation/Configuration Notes

#### Mounting

The assembly is quickly installed into a hole in the ceiling cavity. A separate mounting ring, secured by three integral spring-loaded ceiling locking clamps (for ceilings and wall boards from 9 to 25 mm thick) holds it in place. The clamps are provided with protective rubbers to avoid damaging soft ceiling material.

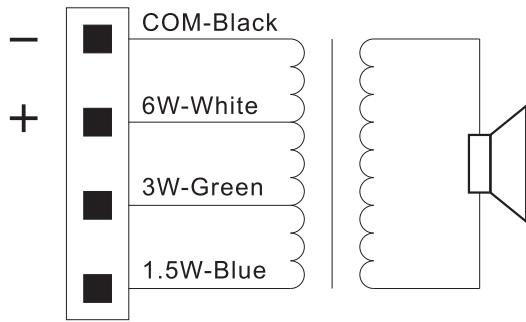
#### Power setting

The unit has a three-way terminal block with screw connections suitable for loop-through wiring. Three primary taps are provided on the matching transformer to allow selection of nominal full-power, half-power, quarter-power.

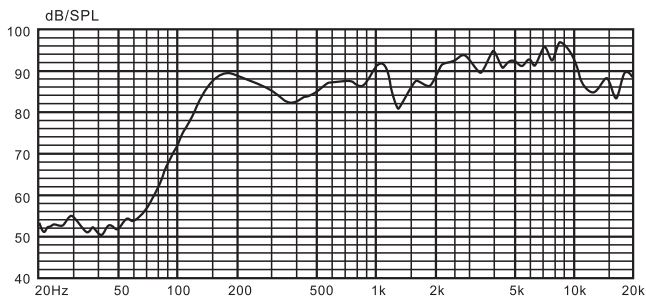


Dimensions in mm

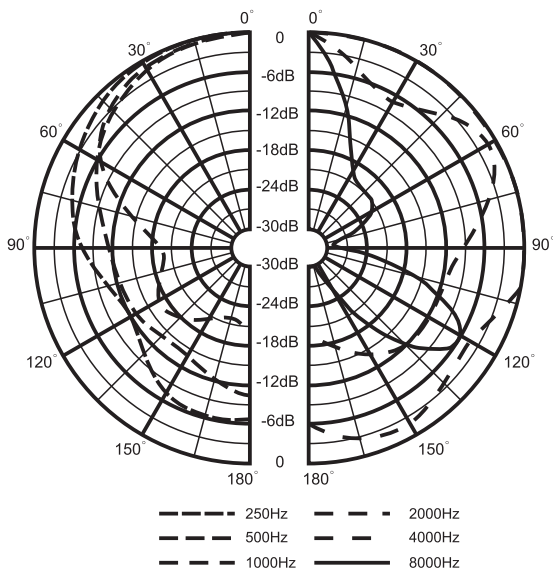
## Circuit Diagram



## Frequency Response

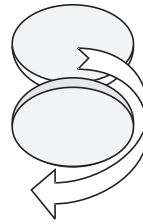


## Polar Diagram

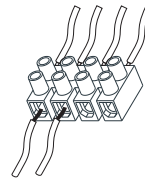


## Installation Instructions

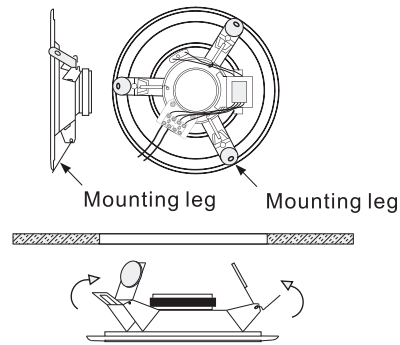
1. Cut out a hole in the ceiling measuring 150 mm diameter.



2. Connect cable to the plastic terminal blocks.



3. Lift connected loudspeaker mounting leg.



4. Carefully loudspeaker push into cut hole.



## Honeywell

Service Contact: [hav.international@honeywell.com](mailto:hav.international@honeywell.com)

[www.honeywellav.com](http://www.honeywellav.com)

© 2012 Honeywell International Inc. All rights reserved.

Data subject to change without notice