

## L-VWM06A Cabinet Loudspeaker



L-VWM06A Voice Alarm cabinet loudspeaker is designed for both surface mounting on walls and recessed mounting into brick or concrete walls. It is ideal for even sound distribution. The loudspeaker has a built-in protection to ensure that, in the event of a fire, damage to the loudspeaker does not result in failure of the loudspeaker circuit which is connected. In this way, system integrity is maintained and ensuring loudspeaker connected in the same circuit in other areas can still be used to inform people of the situation. With a hanger on the back, the loudspeaker can be easily and quickly mounted into the wall. Binding post adopting press-clips-wiring method facilitates field wiring.

L-VWM06A cabinet loudspeaker is supplied with ceramic terminal blocks, thermal fuse and heat-resistant, high-temperature wiring to comply with BS 5839 Part 8 and tested in accordance with BSEN (IEC) 60268-5:2007.

### Technical Specifications

#### Electrical

Max power	9 W
Rated power	6 W
Power tapping	6 W / 3 W / 1.5W / 0.75 W / 0.25W
Sound pressure level at 6 W/1 W@1m, 1k Hz	102 dB / 95 dB
Frequency response (-10 dB)	200 Hz ~20k Hz
Dispersion angle (1k Hz / -6 dB)	180°
Rated input voltage	100 V / 70 V
Rated impedance	1.7k $\Omega$ / 3.3k $\Omega$ / 6.7k $\Omega$ / 13k $\Omega$ / 40k $\Omega$
Connection	Ceramic terminal

#### Mechanical

Dimensions	170 mm x 170 mm x 63 mm
Weight	1.63 kg
Color	RAL 9003
Speaker size	5"

#### Environmental

Operating temperature	-25°C to +55°C
Storage temperature	-40°C to +70°C
Relative humidity	<95%

- Suitable for speech and music reproduction
- Robust metal enclosure
- Unobtrusive in virtually all interiors
- Simple power setting
- Easy installation
- Recommended for voice evacuation systems
- Compliance with international installation and safety regulations
- BS 5839-8 compliance

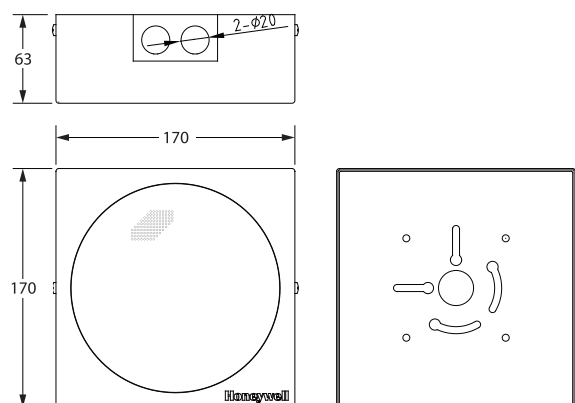
### Installation/Configuration Notes

#### Mounting

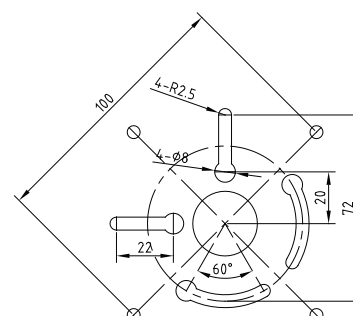
The cabinet loudspeaker has been designed to quick and simple installation and can easily installed by 3 side fixing screws. Likewise, the back box also can easily mount on the wall by using the rear fixing slots and rear or side cable entries. If using with concealed cabling use a standard recess mount junction box as first fix.

#### Power setting

The cabinet loudspeaker has a three-way terminal block with screw connections suitable for loop-through wiring (including earth) Five primary taps are provided on the matching transformer to allow selection of nominal full-power, half-power, quarter-power, eighth power or twenty-fourth-power radiation (in 3 dB steps).

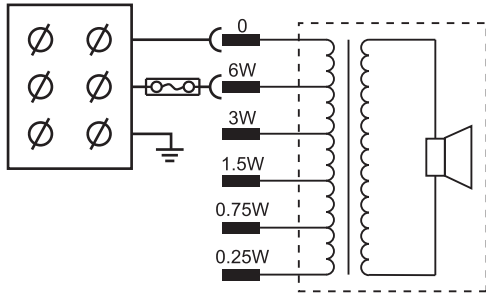


Dimensions in mm

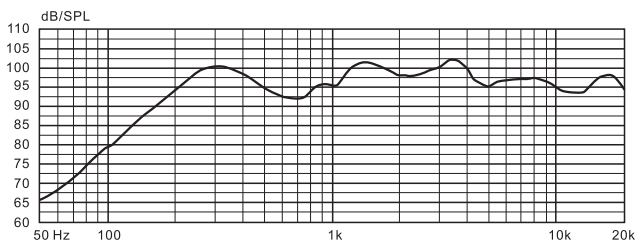


Mounting dimensions in mm

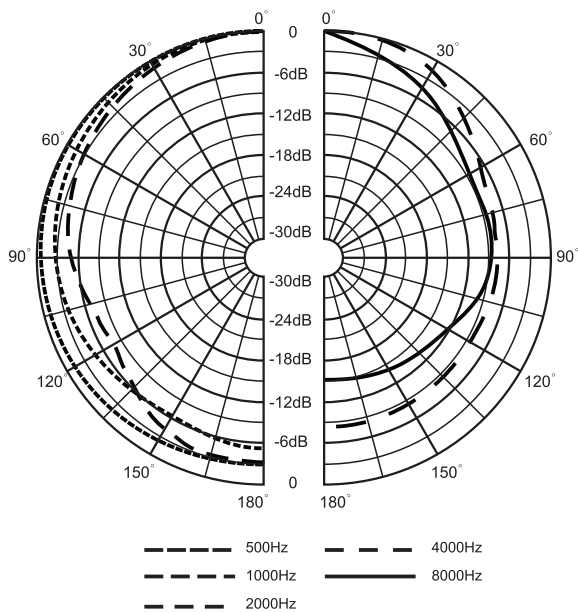
## Circuit Diagram



## Frequency Response

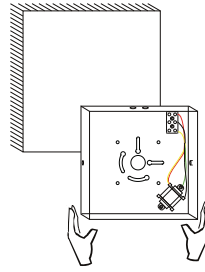


## Polar Diagram

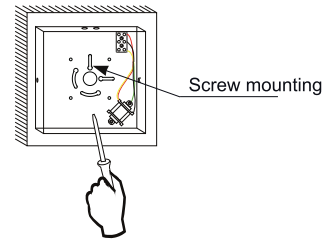


## Installation Instructions

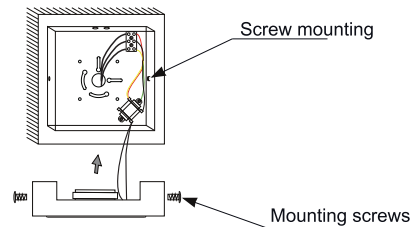
1. Attach loudspeaker cabinet to flat surface.



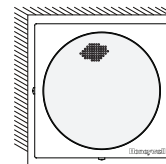
2. Fix the loudspeaker cabinet with screws.



3. Select desired power and attach the front panel to the cabinet.



4. Fix loudspeaker the front panel to the cabinet with screws.



## Honeywell

Service Contact: [hav.international@honeywell.com](mailto:hav.international@honeywell.com)

[www.honeywellav.com](http://www.honeywellav.com)

© 2012 Honeywell International Inc. All rights reserved.

Data subject to change without notice