

FLAT PANEL TV WALL MOUNT INSTRUCTION

CNCT-LFT-V600

NOTE: We recommend that this product is installed by the professional only. we accept no liability for damages caused by incorrect assembly, installation or use. If there is any doubt, please contact the specialist from the seller for help.



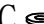





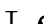


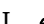
IMPORTANT!

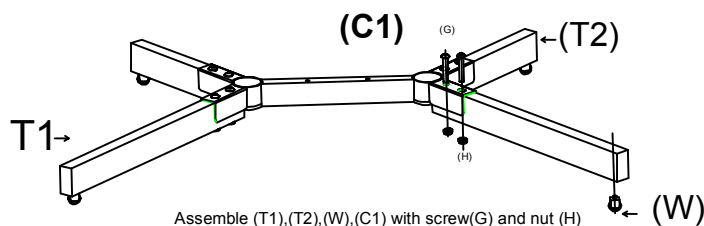
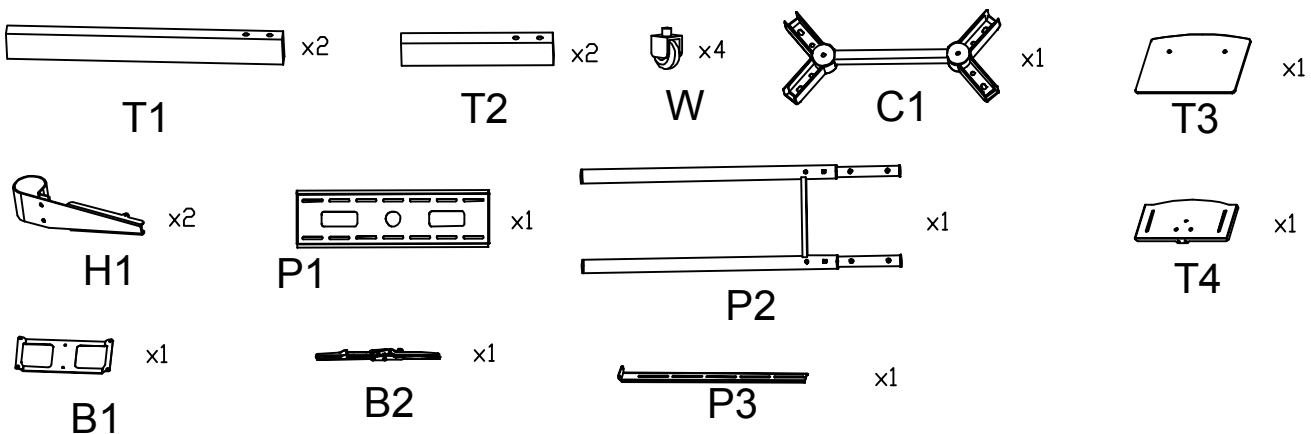
- For safety reasons, the wall or mounting surface must be capable of supporting the combined weight of the mount and the display; otherwise the structure must be reinforced.
- Safety gear and proper tools must be used. Failure to do so can result in property damage and/or serious injury.
- Make sure that no electrical cables, water pipes or gas pipes are located within the wall.

Tools required for the installation:

- Phillips Head Screw Driver

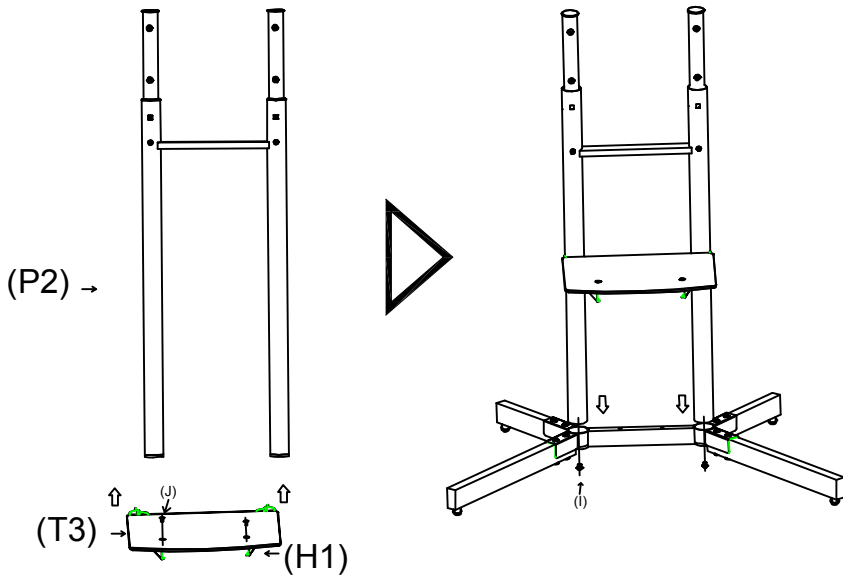
Also make sure that all of the hardware has been included with your mount. You should find the following:

A		M6X20 Bolt X 4	B		M8X20 Bolt X 4	C		16*6.5*2 washer X4
D		Spacer 15*8.5*5 X 4	E		S5 Allen Key X 1	F		H13 Spanner X1
G		M8X60 Bolt X 8	H		M8 LOCK NUT X 12	I		M8X16 Bolt X 2
J		M5X8 Bolt X 6	K		M8X50 Bolt X 4	L		M5X8 Bolt X 2



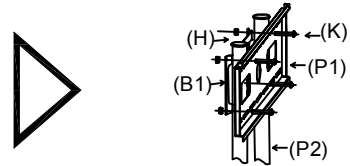
FLAT PANEL TV WALL MOUNT INSTRUCTION

CNCT-LFT-V600

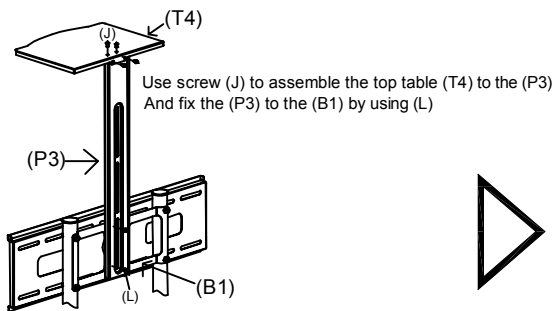


Assemble the small table the by using screw (J)
Put the (P2) through the holes of table holder(H1)

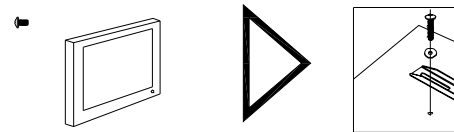
Fix the (P2) to the base by using screw (I) to assemble



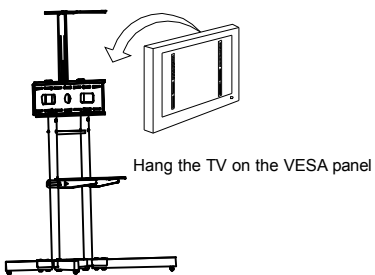
Fix the VESA panel(P1) to the (P2) and (B1) by screw (K) and nut (H).



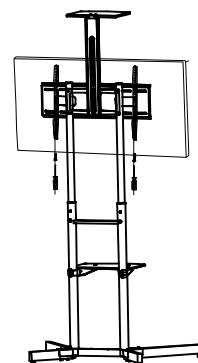
Use screw (J) to assemble the top table (T4) to the (P3)
And fix the (P3) to the (B1) by using (L)



Choose proper screw from (A) or (B) and washer (C),(D)
Then fix the bracket to the back of the TV



Hang the TV on the VESA panel



Tighten the screw by screwdriver