

## Exit Button

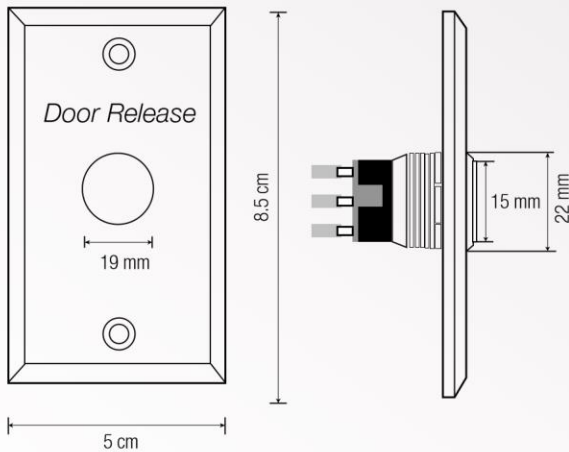
### Exit Request Button

Mod. **PR0800B**

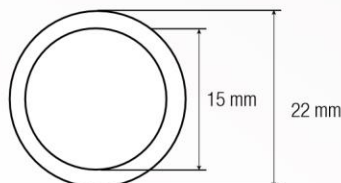


#### ● Dimensions:

PLATE



BUTTON



#### ● Applications:

For commercial, industrial and institutional applications such as shopping centers, buildings, educational institutions, health centers, office complexes, commercial, etc.

#### ● Features:

Switch Mode	Momentary
Switch Configuration	NO / NC / COM
Standard Finish	Anodized Aluminium
Switch Rating	Voltage that supports less than or equal to 24VDC.
Front Shape	Flat Head
Cycle Rating	50,000 Cycles
Operating Temperature	10 to 55 °C
Connector	Cable
Mounting Hole	19 mm
Warranty	1 Year