

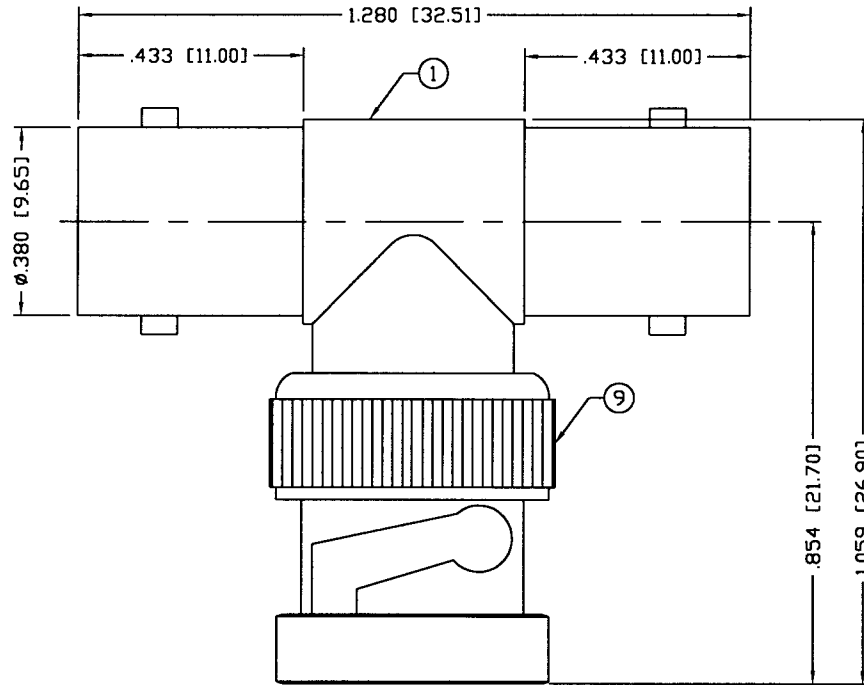
THIS DRAWING CONTAINS INFORMATION PROPRIETARY TO RF INDUSTRIES.  
 ANY UNAUTHORIZED USE OF THIS DRAWING IS EXPRESSLY PROHIBITED  
 WITHOUT WRITTEN PERMISSION FROM RF INDUSTRIES.  
 ANY VIOLATION IS PUNISHABLE UNDER U.S. COPYRIGHT LAWS.

ALL DIMENSIONS ARE REFERENCE ONLY

PART NO.

**RFB-1130-1**

REV	DESCRIPTION	DWN	DATE	APPROVED
A	ENGINEERING RELEASE	CJ	4/27/92	J. BENZ
B	REMOVE P/N FROM CONNECTOR / UPDATE DRAWING FORMAT	CZS	11/4/03	JDMc



**SPECIFICATIONS:**

IMPEDANCE: 50 Ohms  
 FREQUENCY RANGE: 0-4 GHz  
 WORKING VOLTAGE: 500 V rms @ sea level  
 INTERFACE PER MIL-STD-348  
 REFER TO MILITARY SLASH SHEET UG274B/U  
 FOR FURTHER DETAILS

1	BODY	1	ZINC DIECAST	---
2	INSULATOR	1	DELTRIN	---
3	INSULATOR	2	DELTRIN	---
4	CONTACT	1	PHOS. BRONZE	GOLD, 3μ"
5	PIN	1	BRASS	GOLD, 3μ"
6	SPRING	1	SWPB	NICKEL, 30μ"
7	GASKET	1	RUBBER	---
8	WASHER	1	BRASS	NICKEL, 100μ"
9	SHELL	1	ZINC DIECAST	---
10				
11				
12				
13				
14				
#	DESCRIPTION	QTY	MATERIAL	FINISH

000459	
DRAWN C. ZUNIGA	11/4/03
CHECKED <i>JDMc</i>	11-4-03
ORJ DRAWN C. JONES	4/27/92
APPROVALS	DATE

UNLESS OTHERWISE SPECIFIED:

DIMENSIONS ARE IN INCHES  
 AND [MILLIMETERS]  
 UNLESS OTHERWISE NOTED  
 TOLERANCES ARE:

DECIMALS	DIAMETER
----------	----------

**RFconnectors**  
 DIVISION OF RF INDUSTRIES, LTD.

7610 MIRAMAR RD  
 SAN DIEGO, CA 92126  
 (858) 549-6340  
 (858) 549-6345 FAX

## BNC DOUBLE JACK TO PLUG

"T" ADAPTER, UG274B/U

SIZE <b>A</b>	CABLE GROUP <b>N/A</b>	DWG NO. <b>RFB-1130-1</b>	REV <b>B</b>
------------------	---------------------------	------------------------------	-----------------

SCALE: NTS      CAD FILE OUTLINE      SHEET 1 OF 1