

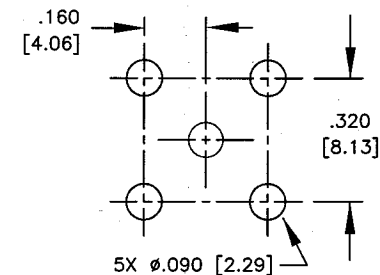
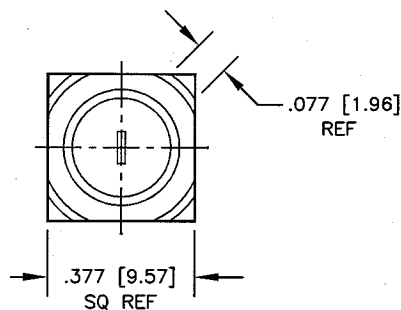
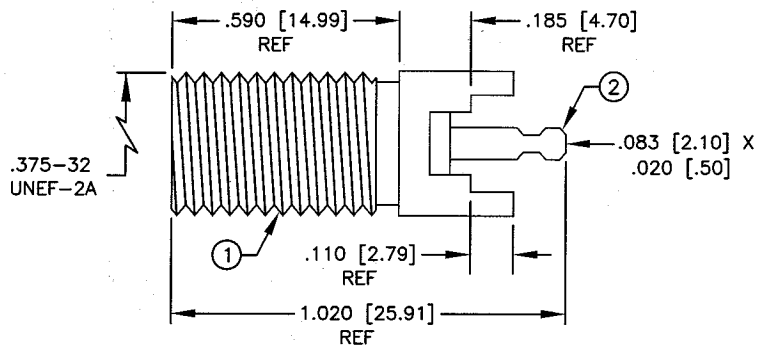
# ENVELOPE / ASSEMBLY DRAWING

000494

## SPECIFICATION CONTROL DRAWING

THIS DRAWING CONTAINS INFORMATION PROPRIETARY TO RF INDUSTRIES, LTD. ANY UNAUTHORIZED USE OF THIS DRAWING IS EXPRESSLY PROHIBITED. ANY VIOLATION IS PUNISHABLE UNDER U.S. COPYRIGHT LAWS.

REV	DESCRIPTION	DWN	DATE	APPROVED
A	ENGINEERING RELEASE	KMM	12/5/96	R. RICE
B	ADDED THREAD CALLOUT	BMA	2/3/97	R. RICE



SUGGESTED MOUNTING CONFIGURATION

### SPECIFICATIONS:

IMPEDANCE: 75 OHMS

DIMENSIONS ARE IN INCHES AND [MILLIMETERS]  
UNLESS OTHERWISE NOTED TOLERANCES ARE:  
DECIMALS          DIAMETER

**RF connectors**  
DIVISION OF RF INDUSTRIES, LTD.

7610 MIRAMAR RD  
SAN DIEGO, CA 92126  
(619)549-6340  
(619)549-6345 FAX

## RFF-1450-03

F FEMALE VERTICAL PCB MOUNT

ITEM	DESCRIPTION	QTY	MATERIAL	FINISH
5	TAB CONTACT	1	BRASS	TIN
4	DIELECTRIC	1	POLYPROPYLENE	NONE
3	DIELECTRIC	1	POLYPROPYLENE	NONE
2	CONTACT	1	PHOS BRONZE	TIN
1	BODY	1	BRASS	NICKEL

DRAWN	B. ASHLEY	2/3/97
CHECKED	<i>[Signature]</i>	2/3/97
ORJ DRAWN	K. MAXWELL	12/5/96
APPROVALS		DATE

SIZE	CABLE GROUP	DWG NO.	REV
A	N/A	8684	B
SCALE:	2:1	CAD FILE	13ARC B
		SHEET	1 OF 1