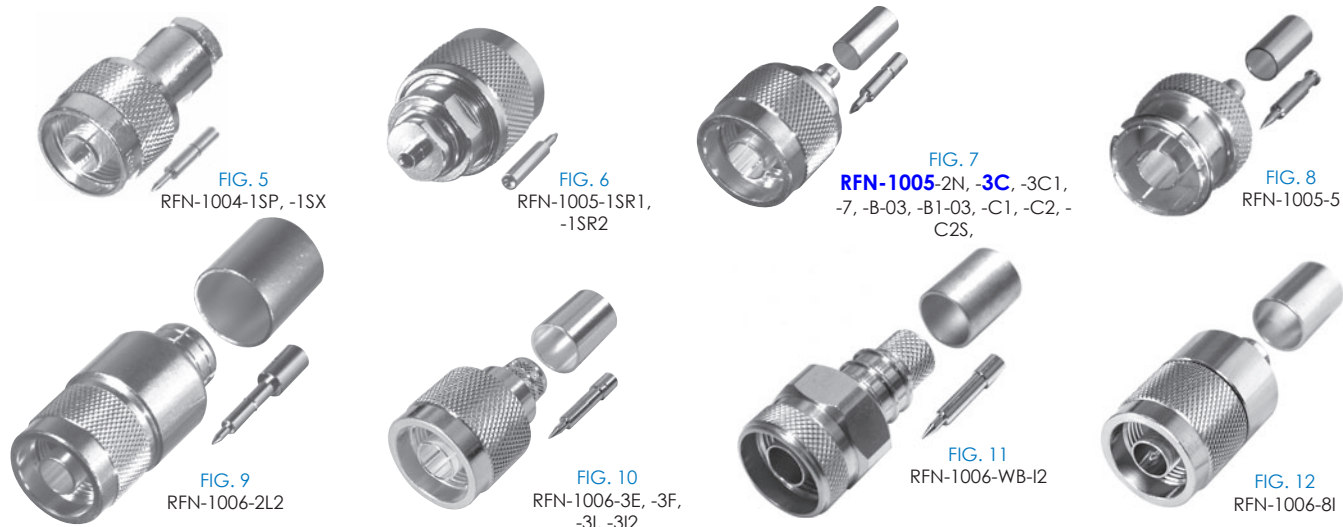


| SPECIFICATIONS | CABLE GROUPS | |
|--|--------------|---|
| <p>ELECTRICAL SPECIFICATIONS IMPEDANCE: 50 Ω WORKING VOLTAGE RATING: 1,000 VRMS, CABLE DEPENDENT FREQUENCY RANGE: 0-11 GHZ</p> <p>MECHANICAL SPECIFICATIONS MATING: 5/8 - 24 THREADED COUPLING INTERFACE: MIL-STD-348, SECTION 304 CABLING: CLAMP, SOLDER AND CRIMP</p> <p>PLATING G - GOLD N - NICKEL S - SILVER WB - WHITE BRONZE</p> <p>DIELECTRIC MATERIAL T - PTFE</p> | GRP | FOR THESE CABLE TYPES |
| | B | TIMES LMR-100A; RG-174, 188, 188A, 316/U; ALPHA 9174, 9316; BELDEN 7805A, 8216, 83269, 83284, 84316; COMMSCOPE AMC-174, WBC-100 |
| | B1 | RG-316/U DOUBLE SHIELD; RD-316; BELDEN 83269; COLEMAN 1596 |
| | C | TIMES LMR-195; RG-58, 58A, 58C, 141, 141A/U; ANDREW CNT-195, CNT-195-DB, CNT-195-FR; BELDEN 7806A, 8219, 8240, 8259, 8262, 9201, 9203, 9310, 9311; COMMSCOPE WBC-195, WBC-195R, 0268, TCOM-195, TCOM-195-FR; HARBOUR HPF195 |
| | C1 | RG-55, 55A, 55B, 142, 142A, 142B, 223, 400/U; ALPHA 9055, 9055B, 9223; BELDEN 7806A, 83242, 84142 |
| | C2 | TIMES LMR-200, MSI-22; ALPHA 9848; BELDEN 7807A; COMMSCOPE AMC-58LL, WBC-200, WBC-200R, TCOM-200, TCOM-200-FR; HARBOUR HPF200 |
| | C3 | RG-58/U PLENUM, RG-122/U; ALPHA 9859, 9158S; BELDEN 82240, 82907, 88240, 89907 |
| | D | RG-59, 59A, 59B, 62, 62A, 62C/U; ALPHA 9059, 9062, 9830, 9840, 9845; BELDEN 8221, 8241, 9169, 9204, 9228; CANARE LV-61S; COMMSCOPE 5550, 5555, 5560, 5563 |
| | E | TIMES AA-4478; RG-8, 8A, 213/U; ALPHA 9008, 9213; BELDEN 8267, 9251, 9880, 89880; INTERCOMP 4082, 22132 |
| | E | RG-9, 9A, 9B, 214/U; ALPHA 9214; BELDEN 8242, 8268 |
| | I | TIMES AA-5886, AA-6146, LMR-400, LMR-400 ULTRAFLEX; ANDREW CNT-400, CNT-400AL, CNT-400-DB, CNT-400-FR, CNT-400-FRP; BELDEN 7810A, 8214, 9913; COMMSCOPE TCOM-400, TCOM-400-FR, TCOM-400-PUR, WBC-400, WBC-400R, CUSHCRAFT ULTRALINK TL93605; HARBOUR HPF400 |
| | L2 | TIMES LMR-600, LMR-600 ULTRAFLEX; ANDREW CNT-600, CNT-600-DB, CNT-600-FR, ; COMMSCOPE TCOM-600, TCOM-600-FR, TCOM-600-PUR, WBC-600, WBC-600R |
| | L6 | TIMES LMR-300; ANDREW CNT-300, CNT-300AL, CNT-300-DB, CNT-300-FR; BELDEN 7809; COMMSCOPE TCOM-300, TCOM-300-FR, WBC-300 |
| | M | TIMES MSI-15; RG-122/U; BELDEN 82907, 88240, 89907; MOTOROLA WHITE PTFE |
| | P | TIMES AA-3096; ANTENNA SPECIALIST K214, PRO-FLEX 800 |
| | PL | BELDEN 89913 |
| | SR1 | .085 SEMI RIGID; RG-405/U; BELDEN 1671A; RD-179 |
| | SR2 | .141 SEMI RIGID; RG-402/U; BELDEN 1673A |
| | SR3 | .250 SEMI RIGID; RG-401/U |
| | X | TIMES LMR-240, LMR-240 ULTRAFLEX; RG-8X; ANDREW CNT-240, CNT-240AL, CNT-240ALS, CNT-240-DB, CNT-240-FR, CNT-240-W; BELDEN 9258; COMMSCOPE TCOM-240, TCOM-240-FR, WBC-240, WBC-240R; HARBOUR HPF240; MICRO 8/U; REMEE 1600; SAXTON 8315 |
| FOR A MORE EXTENSIVE LISTING OF CABLE GROUPS | | |





PHOTOS FOR REFERENCE ONLY, SHOWN AT 75% ACTUAL SIZE.

FOR MOUNTING CONFIGURATIONS

| PART # | FIG | DESCRIPTION | CBL GRP | NOTES | REPLACES OR EQUIVALENT TO | PLATING | | | RECOM- MENDED TOOL |
|------------------------------------|-----|-------------------|---|---|---------------------------------------|---------|-----|-----|---|
| | | | | | | BDY | P/C | DIE | |
| RFN-1000-1S | 1 | Male Clamp | C , C1 | for RG-58/U & RG-142/U | UG-536A/U | S | G | T | RFA-4009-206 |
| RFN-1000-C2 | 1 | Male Clamp | C2 | for Times LMR-200 | | N | G | T | RFA-4009-206 |
| RFN-1000-C2S | 1 | Male Clamp | C2 | for Times LMR-200 | | S | G | T | RFA-4009-206 |
| RFN-1000-N | 1 | Male Clamp | C , C1 | for RG-58/U & RG-142/U | UG-536B/U | N | G | T | RFA-4009-206 |
| RFN-1001-S | 2 | Male Solder | C , C1 , C2 , D , E , I , P , X | for Cable Group C, C1, C2 use with Reducer RFU-530, for Cable Groups D, P & X use with Reducer RFU-531—Connector will Accept Maximum Center Conductor of OD .108 [2.74] | | S | G | T | Solder Only |
| RFN-1002-1N | 3 | Male Clamp | E | for RG-8/U & RG-213/U | UG-21B/U, D/U, E/U | N | G | T | RFA-4009-206 |
| RFN-1002-1S | 3 | Male Clamp | E | for RG-8/U & RG-213/U | UG-21B/U, D/U, E/U | S | G | T | RFA-4009-206 |
| RFN-1002-1SI | 3 | Male Clamp | I | for Belden 9913 & Times LMR-400 | | S | G | T | RFA-4005-200 |
| RFN-1002-2L2 | 4 | Male Clamp | L2 | for Times LMR-600 | | S | G | T | Solder Only |
| RFN-1002-PL | 3 | Male Clamp | PL | for Belden 89913 Plenum | | S | G | T | RFA-4009-205 |
| RFN-1004-1SP | 5 | Male Clamp | P | for Proflex | | S | G | T | RFA-4009-206 |
| RFN-1004-1SX | 5 | Male Clamp | X | for RG-8/X & Times LMR-240 | | S | G | T | RFA-4009-206 |
| RFN-1005-1SR1 | 6 | Male | SR1 | for .085 Semi-Rigid | Direct Solder | N | G | T | Solder Only |
| RFN-1005-1SR2 | 6 | Male | SR2 | for .141 Semi-Rigid | Direct Solder | N | G | T | Solder Only |
| RFN-1005-2N | 7 | Male Crimp | C | for RG-58/U | | N | G | T | RFA-4009-206 |
| RFN-1005-3C | 7 | Male Crimp | C | for RG-58/U | | S | G | T | RFA-4009-206 |
| RFN-1005-3C1 | 7 | Male Crimp | C1 | for RG-142/U & RG-55/U | | S | G | T | RFA-4009-206 |
| RFN-1005-5 | 8 | Male Crimp | C | Quick Disconnect, for RG-58/U | | S | G | T | RFA-4009-206 |
| RFN-1005-7 | 7 | Male Crimp | C3 , M | for Motorola White PTFE, RG-58 Plenum or Belden 89907 | | S | G | T | RFA-4009-206 |
| RFN-1005-B-03 | 7 | Male Crimp | B | for RG-174/U & RG-316/U | | N | G | T | RFA-4005-200 |
| RFN-1005-B1-03 | 7 | Male Crimp | B1 | for RD-174/U & RG-316/U Double Shield | | N | G | T | RFA-4005-200 |
| RFN-1005-C1 | 7 | Male Crimp | C1 | for RG-142/U & RG-55/U | | N | G | T | RFA-4009-206 |
| RFN-1005-C2 | 7 | Male Crimp | C2 | for Times LMR-200 | | N | G | T | RFA-4009-206 |
| RFN-1005-C2S | 7 | Male Crimp | C2 | for Times LMR-200 | | S | G | T | RFA-4009-206 |
| RFN-1006-2L2 | 9 | Male Crimp | L2 | for Times LMR-600 | | S | G | T | RFA-4005-305 & RFA-4009-201 |
| RFN-1006-3E | 10 | Male Crimp | E | for RG-8/U & RG-213/U | UG-1681/U | S | G | T | RFA-4009-205 |
| RFN-1006-3F | 10 | Male Crimp | E | for RG-9/U & RG-214/U | UG-1682/U | S | G | T | RFA-4009-205 |
| RFN-1006-3I | 10 | Male Crimp | I | for Belden 9913 & Times LMR-400 | | S | G | T | RFA-4005-200 |
| RFN-1006-3I2 | 10 | Male Crimp | I2 | for RG-8/U Type, LMR-400LLPL | | S | G | T | |
| RFN-1006-WB-I2 | 11 | Male Crimp | I2 | for RG-8/U Type, LMR-400LLPL | | WB | G | T | |
| RFN-1006-8I | 12 | Male Crimp | I | for Times LMR-400; Knurled Shell; 2-Piece Design | for solid center conductor cable only | N | G | T | RFA-4009-205 |



PHOTOS FOR REFERENCE ONLY, SHOWN AT 75% ACTUAL SIZE.

FOR MOUNTING CONFIGURATIONS

| PART # | FIG | DESCRIPTION | CBL GRP | NOTES | REPLACES OR EQUIVALENT TO | PLATING | | | RECOM-MENDED TOOL |
|--------------------------------|-----|------------------------|---------|---|---------------------------------------|---------|-----|-----|---|
| | | | | | | BDY | P/C | DIE | |
| RFN-1006-8X | 13 | Male Crimp | X | for RG-8/X & Times LMR-240, Solderless Center Conductor | | N | G | T | RFA-4009-203 |
| RFN-1006-9I | 14 | Male Crimp | I | for Belden 9913 & Times LMR-400; Hex & Knurled Shell; 2-Piece Design | for solid center conductor cable only | WB | G | T | RFA-4009-205 |
| RFN-1006-9L2 | 15 | Male Crimp | L2 | for Times LMR-600; Hex & Knurled Shell; 3-Piece Design with Heat Shrink | | WB | G | T | RFA-4005-305 & RFA-4009-201 |
| RFN-1006-9X | 16 | Male Crimp | X | for RG-8/X & Times LMR-240; Hex Shell; 2-Piece Design | | N | G | T | RFA-4009-203 |
| RFN-1006-I | 17 | Male Crimp | I | for Belden 9913 & Times LMR-400 | | N | G | T | RFA-4005-200 |
| RFN-1006-I2 | 17 | Male Crimp | I2 | RG-8/U Type, LMR-400LLPL | | N | G | T | |
| RFN-1006-I-15 | 17 | Male Crimp | I | Pin with 15 Micro in Gold, for RG-8/U Type, LME-400 & Belden 9913 | | N | G | T | |
| RFN-1006-I-WB | 18 | Male Crimp | I | for Belden 9913 & Times LMR-400; Hex & Knurled Shell, with heat shrink | Times TC-400-NMH-D | WB | G | T | RFA-4005-200 |
| RFN-1006-L6 | 18 | Male Crimp | L6 | for Times LMR-300 | | N | G | T | RFA-4005-400 & RFA-4005-308 |
| RFN-1006-PL | 18 | Male Crimp | PL | for Belden 89913 Plenum | | S | G | T | RFA-4005-200 |
| RFN-1007-2SP | 19 | Male Crimp | P | for Proflex | | S | G | T | RFA-4009-203 |
| RFN-1007-2SX | 19 | Male Crimp | X | for RG-8/X & Times LMR-240 | | S | G | T | RFA-4005-100 |
| RFN-1007-X | 19 | Male Crimp | X | for RG-8/X & Times LMR-240 | | N | G | T | RFA-4005-400 |
| RFN-1009-3E | 20 | Male Right Angle Crimp | E | for RG-8/U | | S | G | T | RFA-4009-205 |
| RFN-1009-3I | 20 | Male Right Angle Crimp | I | for Belden 9913 & Times LMR-400 | | S | G | T | RFA-4009-205 |
| RFN-1009-9X-WB | 21 | Male Right Angle Crimp | X | Hex Shell, for RG-8/X | | WB | G | T | |
| RFN-1009-B-03 | 22 | Male Right Angle Crimp | B | Square Body, for RG-174/U | | N | G | T | RFA-4009-204 |
| RFN-1009-C | 22 | Male Right Angle Crimp | C | for RG-58/U | | S | G | T | RFA-4009-206 |
| RFN-1009-C-03 | 22 | Male Right Angle Crimp | C | Square Body, for RG-58/U | | N | G | T | RFA-4009-206 |
| RFN-1009-C1 | 22 | Male Right Angle Crimp | C1 | for RG-142/U & RG-55/U | | S | G | T | RFA-4009-206 |



PHOTOS FOR REFERENCE ONLY, SHOWN AT 75% ACTUAL SIZE.

FOR MOUNTING CONFIGURATIONS

| PART # | FIG | DESCRIPTION | CBL GRP | NOTES | REPLACES OR EQUIVALENT TO | PLATING | | | RECOMMENDED TOOL |
|--------------------------------|-----|-------------------------------------|--------------------|---|---------------------------|---------|-----|-----|------------------------------|
| | | | | | | BDY | P/C | DIE | |
| RFN-1009-C1-03 | 23 | Male Right Angle Crimp | C1 | for RG-142/U, square body | | N | G | T | RFA-4009-206 |
| RFN-1009-C2 | 23 | Male Right Angle Crimp | C2 | for Times LMR-200 | | S | G | T | RFA-4009-206 |
| RFN-1009-I | 24 | Male Right Angle Crimp | I | for Belden 9913 & Times LMR-400 | | WB | G | T | RFA-4009-205 |
| RFN-1009-I-99 | 24 | Male Right Angle Crimp | I | for RG-8 Type, LMR-400 & Belden 9913 | | N | G | T | |
| RFN-1009-PL | 25 | Male Right Angle Crimp | PL | for Belden 89913 Plenum | | S | G | T | RFA-4009-205 |
| RFN-1009-X-04 | 26 | Male Right Angle Crimp | X | for RG-8/X & Times LMR-240 | | N | G | T | RFA-4009-203 |
| RFN-1010-1 | 27 | T Adapter | | N Double Female to N Male | UG-107B/U | S | G | T | |
| RFN-1011-1 | 28 | T Adapter | | N Triple Female | UG-28A/U | S | G | T | |
| RFN-1012-1 | 29 | Right Angle Adapter | | N Female to N Male | UG-27A/U, B/U, C/U, D/U | S | G | T | |
| RFN-1013-1 | 30 | Barrel Adapter | | N Female to N Female | UG-29B/U, C/U | S | G | T | |
| RFN-1013-1-03 | 31 | Barrel Adapter | | N Female to N Female | | N | G | T | |
| RFN-1014-1 | 32 | Barrel Adapter | | N Male to N Male | UG-57B/U | S | G | T | |
| RFN-1020-1 | 33 | Female Panel Mount | | 2 Hole Flange | | S | G | T | |
| RFN-1021 | 34 | Female Panel Mount | | 4 Hole Flange | UG-58A/U | S | G | T | |
| RFS-2068 | 35 | N Female 4 Hole Panel Mount | | Solder Tab | | N | G | T | |
| RFN-1021-03 | 36 | Female Panel Mount | | 4 Hole Flange | | N | G | T | |
| RFN-1021-1 | 37 | Female Panel Mount | | 4 Hole Flange with Removable Pin & Flush Dielectric | UG-58A/U | S | G | T | |



FIG. 38
RFN-1021-14, 14-WB



FIG. 39
RFN-1021-2



FIG. 40
RFN-1021-4



FIG. 41
RFN-1021-5



FIG. 42
RFN-1021-6



FIG. 43
RFN-1022, -1



FIG. 44
RFN-1022-2SR2, -SR1



FIG. 45
RFN-1022-3, -3-03



FIG. 46
RFN-1022-5, -5-03



FIG. 47
RFN-1022-8, -8-B1,
-8-C, -8-C1, -8-C2, -M

PHOTOS FOR REFERENCE ONLY, SHOWN AT 75% ACTUAL SIZE.

FOR MOUNTING CONFIGURATIONS

| PART # | FIG | DESCRIPTION | CBL GRP | NOTES | REPLACES OR EQUIVALENT TO | PLATING | | | RECOM- MENDED TOOL |
|--------------------------------|-----|--------------------------|--|---|---------------------------|---------|-----|-----|------------------------------|
| | | | | | | BDY | P/C | DIE | |
| RFN-1021-14 | 38 | Female Panel Mount | | 4 Hole Flange w/ Slotted Terminal Contact | | N | G | T | |
| RFN-1021-14-WB | 38 | Female Panel Mount | | 4 Hole Flange w/ Slotted Terminal Contact | | WB | G | T | |
| RFN-1021-2 | 39 | Female Panel Mount | | 4 Hole Flange w/ Soldercup | UG-58A/U | N | G | T | |
| RFN-1021-4 | 40 | Female Panel Mount | | Mini 4 Hole Flange w/ Post Terminal, .730" Extended Dielectric & O-Ring | | N | G | T | |
| RFN-1021-5 | 41 | Female Panel Mount | | Mini 4 Hole Flange w/ Post Terminal, .260" Extended Dielectric & O-Ring | | N | G | T | |
| RFN-1021-5-03 | | Female Panel Mount | | Mini 4 Hole Flange with .180" Extended Dielectric | | N | G | T | |
| RFN-1021-6 | 42 | Female Clamp Panel Mount | C , C1 | 4 Hole Flange, for RG-58/U & RG-142/U | UG1095A/U, B/U, C/U | S | G | T | RFA-4009-206 |
| RFN-1022 | 43 | Female Bulkhead | | Front Mount, No D-FLAT | | S | G | T | |
| RFN-1022-1 | 43 | Female Bulkhead | | Front Mount with Double D-Flat | UG-680/U, A/U | S | G | T | |
| RFN-1022-2SR2 | 44 | Female Bulkhead | SR2 | Rear Mount with Double D-Flat, for .141 Semi-Rigid Cable | Direct Solder | S | G | T | |
| RFN-1022-3 | 45 | Female Bulkhead | | Front Mount, Long with Double D-Flat | | S | G | T | |
| RFN-1022-3-03 | 45 | Female Bulkhead | | Front Mount, Long with Double D-Flat | | S | G | T | |
| RFN-1022-5 | 46 | Female Bulkhead | | Front Mount with D-Flat & O-Ring | | N | G | T | |
| RFN-1022-5-03 | 46 | Female Bulkhead | | Front Mount with D-Flat, .375" Opening, BeCu Contact | | N | G | T | |
| RFN-1022-8 | 47 | Female Crimp Bulkhead | B | Rear Mount with O-Ring, for RG-174/U | for RG-174/U & RG-316/U | N | G | T | RFA-4009-204 |
| RFN-1022-8-B1 | 47 | Female Crimp Bulkhead | B1 | Rear Mount w/ O-Ring, for RG-316/U Double Shield | for RD-174/U & RD-316/U | N | G | T | RFA-4009-204 |
| RFN-1022-8-C | 47 | Female Crimp Bulkhead | C | Rear Mount with O-Ring, for RG-58/U | | N | G | T | RFA-4009-206 |
| RFN-1022-8-C1 | 47 | Female Crimp Bulkhead | C1 | Rear Mount with O-Ring, for RG-142/U | | N | G | T | RFA-4009-206 |
| RFN-1022-8-C2 | 47 | Female Crimp Bulkhead | C2 | Rear Mount with O-Ring, for LMR-200 | | N | G | T | RFA-4009-206 |
| RFN-1022-8-M | 47 | Female Crimp Bulkhead | M | Rear Mount for RG-58/U Plenum | | N | G | T | |
| RFN-1022-SR1 | 44 | Female Bulkhead | SR1 | Rear Mount with Double D-Flat, for .085" Semi-Rigid Cable | Direct Solder | N | G | T | |



FIG. 48
RFN-1022-SR2, -SR3



FIG. 49
RFN-1022-X



FIG. 50
RFN-1023



FIG. 51
RFN-1023-5



FIG. 52
RFN-1024-1, -1SI, -PL



FIG. 53
RFN-1025-1, -C2



FIG. 54
RFN-1026-1X



FIG. 55
RFN-1027, -C1, -C2, -N,
RFN-1029-SP, -SX



FIG. 56
RFN-1027-B, -SB



FIG. 57
RFN-1028-2L2



FIG. 58
RFN-1028, -F, -I

PHOTOS FOR REFERENCE ONLY, SHOWN AT 75% ACTUAL SIZE.

FOR MOUNTING CONFIGURATIONS

| PART # | FIG | DESCRIPTION | CBL GRP | NOTES | REPLACES OR EQUIVALENT TO | PLATING | | | RECOMMENDED TOOL |
|------------------------------|-----|--|--|---|---------------------------|---------|-----|-----|--|
| | | | | | | BDY | P/C | DIE | |
| RFN-1022-SR2 | 48 | Female Bulkhead | SR2 | Rear Mount with Double D-Flat, for .141" Semi-Rigid Cable | Direct Solder | N | G | T | |
| RFN-1022-SR3 | 48 | Female Bulkhead | SR3 | Rear Mount with Double D-Flat, for .250" Semi-Rigid Cable | Direct Solder | N | G | T | |
| RFN-1022-X | 49 | Female Crimp Bulkhead | X | Rear Mount with O-Ring, for LMR-240 | | WB | G | T | RFA-4005-400 |
| RFN-1023 | 50 | Front Mount Bulkhead Adapter | | N Female to N Female | UG-30C/U | S | G | T | |
| RFN-1023-5 | 51 | Female Bulkhead Adapter | | N Female to BNC Female | | N | G | T | |
| RFN-1024-1 | 52 | Female Clamp | E | for RG-8/U | UG-23D/U, F/U | S | G | T | |
| RFN-1024-1SI | 52 | Female Clamp | I | for Belden 9913 & Times LMR-400 | | S | G | T | |
| RFN-1024-PL | 52 | Female Clamp | PL | for Belden 89913 Plenum | | S | G | T | |
| RFN-1025-1 | 53 | Female Clamp | C , C1 | for RG-58/U & RG-142/U | | S | G | T | |
| RFN-1025-C2 | 53 | Female Clamp | C2 | for Times LMR-200 | | S | G | T | |
| RFN-1026-1X | 54 | Female Clamp | X | for RG-8/X & Times LMR-240 | | S | G | T | RFA-4009-206 |
| RFN-1027 | 55 | Female Crimp | C | for RG-58/U | | N | G | T | RFA-4009-206 |
| RFN-1027-B | 56 | Female Crimp | B | for RG-174/U & RG-316/U | | N | G | T | RFA-4005-200 |
| RFN-1027-B1 | | Female Crimp | B1 | | | N | G | T | |
| RFN-1027-C1 | 55 | Female Crimp | C1 | for RG-142 | | S | G | T | RFA-4009-206 |
| RFN-1027-C2 | 55 | Female Crimp | C2 | for Times LMR-200 | | S | G | T | RFA-4009-206 |
| RFN-1027-N | 55 | Female Crimp | C | for RG-58/U | | N | G | T | RFA-4009-206 |
| RFN-1027-SB | 56 | Female Crimp | B | for RG-174/U & RG-316/U | | S | G | T | RFA-4005-200 |
| RFN-1028 | 58 | Female Crimp | E | for RG-8/U | Amphenol 82-0337 | S | G | T | RFA-4009-205 |
| RFN-1028-2L2 | 57 | Female Crimp | L2 | for Times LMR-600 | | S | G | T | Ferrule only RFA-4009-201 |
| RFN-1028-F | 58 | Female Crimp | E | for RG-9/U & RG-214/U | | S | G | T | RFA-4005-200 |
| RFN-1028-I | 58 | Female Crimp | I | for Belden 9913 & Times LMR-400 | | N | G | T | RFA-4005-200 |
| RFN-1028-I2 | 59 | Female Crimp | I2 | for LMR-400LLPL | | N | G | T | |



FIG. 59
RFN-1028-I2, -PL, -SI, SI2



FIG. 60
RFN-1029-SP, -SX



FIG. 61
RFN-1034-1

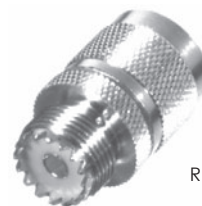


FIG. 62
RFN-1035-1



FIG. 63
RFN-1036-1



FIG. 64
RFN-1037-1



FIG. 65
RFN-1038-1



FIG. 66
RFN-1039-1



FIG. 67
RFN-1040-1



FIG. 68
RFN-1041-1



FIG. 69
RFN-1054-AV



FIG. 70
RFS-2030

PHOTOS FOR REFERENCE ONLY, SHOWN AT 75% ACTUAL SIZE.

FOR MOUNTING CONFIGURATIONS

| PART # | FIG | DESCRIPTION | CBL GRP | NOTES | REPLACES OR EQUIVALENT TO | PLATING | | | RECOM-MENDED TOOL |
|------------------------------|-----|--------------------------------------|---------|---------------------------------|---------------------------|---------|-----|-----|------------------------------|
| | | | | | | BDY | P/C | DIE | |
| RFN-1028-PL | 59 | Female Crimp | PL | for Belden 89913 Plenum | | S | G | T | RFA-4005-200 |
| RFN-1028-SI | 59 | Female Crimp | I | for Belden 9913 & Times LMR-400 | | S | G | T | RFA-4005-200 |
| RFN-1028-SI2 | 59 | Female Crimp | I2 | for LMR-400LLPL | | S | G | T | |
| RFN-1029-SP | 60 | Female Crimp | P | for Proflex | | S | G | T | RFA-4009-203 |
| RFN-1029-SX | 60 | Female Crimp | X | for RG-8/X & Times LMR-240 | | S | G | T | RFA-4009-203 |
| RFN-1034-1 | 61 | Female Adapter | | N Female to UHF Female | | S | G | T | |
| RFN-1035-1 | 62 | Male Adapter | | N Male to UHF Female | | S | G | T | |
| RFN-1036-1 | 63 | Female Adapter | | N Female to UHF Male | | S | G | T | |
| RFN-1037-1 | 64 | Male Adapter | | N Male to BNC Female | | S | G | T | |
| RFN-1038-1 | 65 | Female Adapter | | N Female to BNC Male | | S | G | T | |
| RFN-1039-1 | 66 | Female Adapter | | N Female to BNC Female | | S | G | T | |
| RFN-1040-1 | 67 | Male Adapter | | N Male to BNC Male | | S | G | T | |
| RFN-1041-1 | 68 | Male Panel Mount | | 4 Hole Flange, Soldercup | | S | G | T | |
| RFN-1054-AV | 69 | Right Angle Adapter | | N Male to N Male | | N | G | T | |
| RFS-2030 | 70 | N Female Bulkhead Vertical PCB Mount | | Double D Flat, 1.645" Threads | | N | S | T | |