

ENVELOPE / ASSEMBLY DRAWING

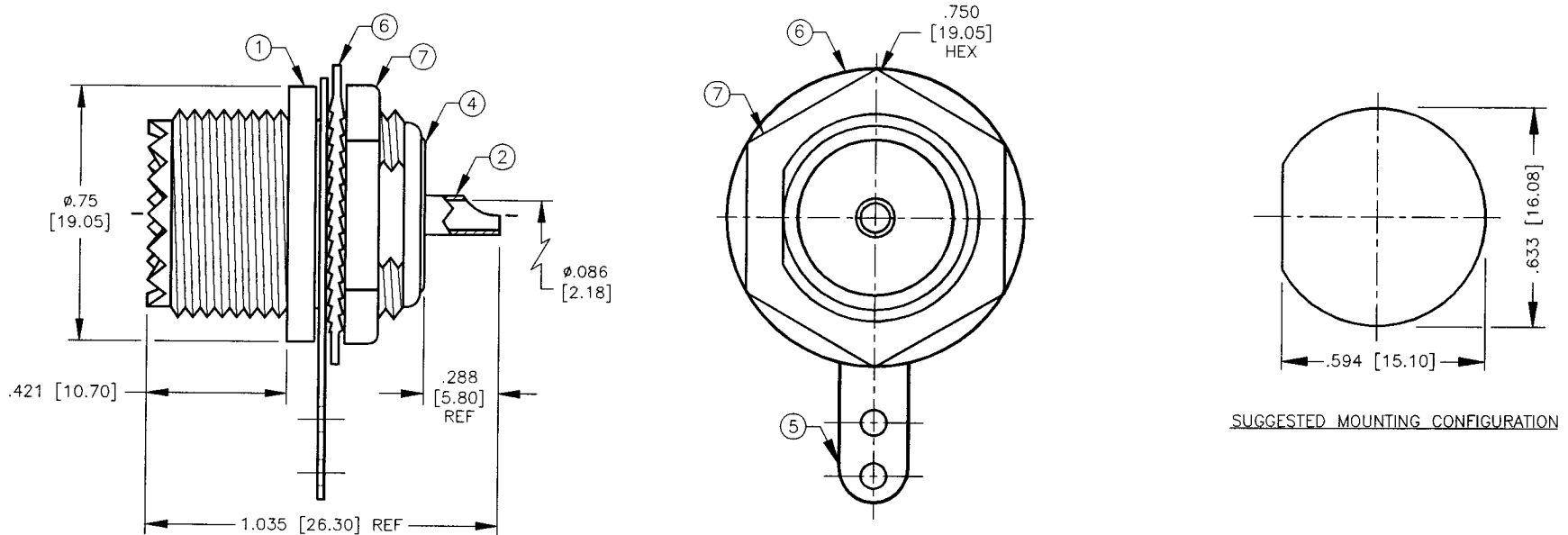
000459

SPECIFICATION CONTROL DRAWING

THIS DRAWING CONTAINS INFORMATION PROPRIETARY TO RF INDUSTRIES, LTD. ANY UNAUTHORIZED USE OF THIS DRAWING IS EXPRESSLY PROHIBITED. ANY VIOLATION IS PUNISHABLE UNDER U.S. COPYRIGHT LAWS.

REV	DESCRIPTION	DWN	DATE	APPROVED
A	ENGINEERING RELEASE	CZS	9/1/98	R. RICE

ALL DIMENSIONS ARE REFERENCE ONLY



SPECIFICATIONS:

IMPEDANCE: NON CONSTANT
 WORKING VOLTAGE: 500 VRMS @ SEA LEVEL
 FREQUENCY RANGE: 0-300 MHZ

DIMENSIONS ARE IN INCHES AND [MILLIMETERS]

UNLESS OTHERWISE NOTED TOLERANCES ARE:

DECIMALS DIAMETER

DRAWN C. ZUNIGA 9/1/98

CHECKED *[Signature]* 9/1/98

ORO DRAWN C. ZUNIGA 9/1/98

APPROVALS DATE

RFconnectors
 DIVISION OF RF INDUSTRIES, LTD.

7610 MIRAMAR RD
 SAN DIEGO, CA 92126
 (619)549-6340
 (619)549-6345 FAX

RFU-523 / SO-239-FM

UHF FEMALE BULKHEAD, FRONT MOUNT

SIZE A	CABLE GROUP N/A	DWG NO. 8866	REV A
-----------	--------------------	-----------------	----------

SCALE: 2:1 CAD FILE 13ARC B SHEET 1 OF 1

ITEM	DESCRIPTION	QTY	MATERIAL	FINISH
7	HEX NUT	1	STEEL	NICKEL
6	LOCK WASHER	1	STEEL	NICKEL
5	SOLDER LUG	1	STEEL	NICKEL
4	DIELECTRIC	1	DAP	PANTONE 129
3	DIELECTRIC	1	DAP	PANTONE 129
2	CONTACT	1	BRASS	SILVER
1	BODY	1	ZINC DIECAST	NICKEL