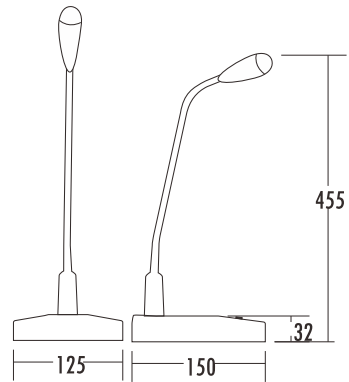




Rear Panel



Specifications

| | |
|----------------------|-----------------------------|
| Model | SF-621A |
| Freq Response | 50Hz-12000Hz |
| Impedance | 600Ω |
| Sensitivity | -63dB |
| Dimensions | 125x150x455mm |
| Weight | 1.3Kg |
| Power | 9V battery or power adapter |