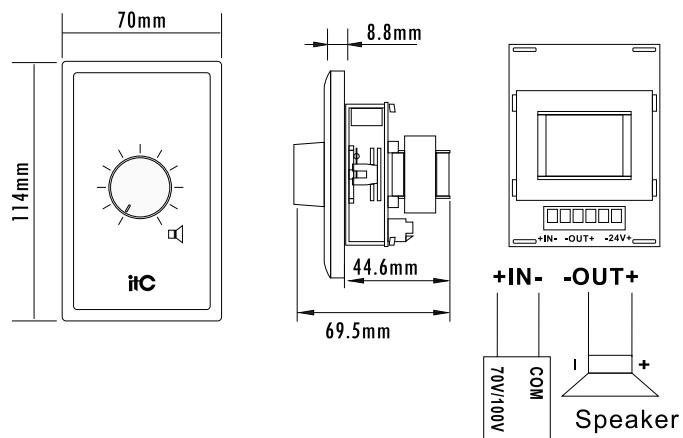




## Appearance



## Specifications

<b>Rated Power</b>	100W
<b>Line Input</b>	100V
<b>Attenuation Per Step</b>	3dB
<b>Total Attenuation</b>	33dB
<b>Attenuation Positions</b>	10 plus off
<b>Material</b>	PC
<b>Finished Color</b>	White
<b>Mounting</b>	Flush and Surface