

INSTALLATION & OPERATION INSTRUCTIONS

SF801LR1 / SF801LG1



IMPORTANT SAFEGUARDS

1. READ AND FOLLOW ALL SAFETY INSTRUCTIONS.

2. Review the diagrams thoroughly before beginning. If you feel you do not have electrical wiring experience, refer to a do-it-yourself wiring handbook or have your fixture installed by a qualified licensed electrician.
3. All electrical connections must be in accordance with local codes, ordinances, and the National Electric Code. If you are unfamiliar with methods of installing electrical wiring, secure the services of a qualified licensed electrician.
4. Before starting the installation, disconnect the power by turning off the circuit breaker or by removing the appropriate fuse at the fuse box. Turning the power off using the light switch is not sufficient to prevent electrical shock.
5. Do not use outdoors.
6. Do not let power supply cords touch hot surfaces.
7. Do not mount near gas or electric heaters.
8. Use caution when servicing batteries. Battery acid can cause burns to skin and eyes. If acid is spilled on skin or in eyes, flush acid with fresh water and contact a physician immediately.
9. Equipment should be mounted in location and at heights where it will not readily be subject to tampering by unauthorized personnel.
10. The use of accessory equipment not recommended by the manufacturer may cause an unsafe condition.
11. Do not use this equipment for other than intended use.
12. All servicing should be performed by qualified personnel only.
13. Allow battery to charge for 24 hours before first use.

UNITS WITH HALOGEN LAMPS ONLY

Caution: Halogen cycle lamp(s) are used in this equipment. To avoid shattering: Do not operate lamp in excess of rated voltage, protect lamp against abrasion and scratches and against liquids when lamp is operating, dispose of lamp with care.

UNITS WITH HALOGEN LAMPS ONLY

- Halogen cycle lamps operate at high temperatures. Do not store or place flammable materials near lamp.
- Do not use this equipment for other than its intended use.

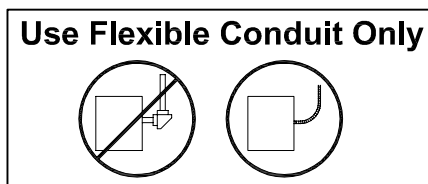
SAVE THESE INSTRUCTIONS

UNPACK THE FIXTURE

Check the contents of the box. You should receive:

- | | |
|---------------------|----------------------|
| 1 - Plastic housing | 2 - EXIT panel |
| 1 - Back panel | 1 - Mounting plate |
| 1 - Canopy | 1 - Hardware package |

NOTE: First turn off electricity.



Pendant Mounting (See Fig.12)

1. Using center hole on the top of mounting, you might do pendant mounting however extension pipe (\varnothing 3/8" Max.) for pendant mounting shall not be supplied.
2. Put extension pipe having threaded end into center hole on the top of housing and then fasten pipe to housing using nut (not provided). See Fig. 10
3. Connect and trim input wires to unit wires at upper left corner of housing. (See Fig. 11) For proper wire connection, See Fig.4 "ELECTRICAL CONNECTIONS" .
4. Connect battery wire to battery. Refer Fig. 2 to take out and to insert battery to plastic housing. (If remote capability is required, refer to "FOR REMOTE CAPABILITY")
5. Snap EXIT panel to housing.

Wall Mounting (See Fig.13)

1. Remove EXIT panel with screwdriver. (See Fig.1)
2. Remove 3/8" hole plug from the center of back plate . Drill \varnothing 1/4" holes into oblong knock outs on the back plate that correspond to junction box holes to be used.
3. Assemble back plate with the plastic housing .
4. Feed excess wire into junction box and secure back plate to junction box.
5. Connect battery wire to battery. Refer (Fig. 2) to take out and to insert battery to plastic housing. (If remote capability is required, refer to "FOR REMOTE CAPABILITY" in below)
6. Snap in Arrows on EXIT panel as required and storing unused arrows in a safe place.
7. Snap EXIT panel to housing.

Ceiling Mounting (See Fig.14)

1. Remove EXIT panel with screwdriver. (See Fig.1)
2. Attach crossbar (8) to junction box using junction box screws.
3. Attach sign to canopy by inserting canopy into sign at an angle, then twist to secure. (See Fig.3)
4. Push excess wire into junction box and align holes in canopy with those in the crossbar. Using screws and washers supplied, tighten canopy to crossbar so that canopy is securely fastened and tight against ceiling.
5. Connect battery wire to battery. Refer Fig. 2 to take out and to insert battery to plastic housing. (If remote capability is required, refer to "FOR REMOTE CAPABILITY" in below)
6. Snap in Arrows on EXIT panel as required and storing unused arrows in a safe place.
7. Snap EXIT panel to housing.

Side Mounting(See Fig.15)

1. Remove EXIT panel with screwdriver. (See Fig.1)
2. Attach crossbar to junction box using junction box screws.
3. Attach sign to canopy by inserting canopy into sign at an angle, then twist to secure. (See Fig.3)
4. Push excess wire into junction box and align holes in canopy with those in the crossbar. Using screws and washers supplied, tighten canopy to crossbar so that canopy is securely fastened and tight against wall.
5. Connect battery wire to battery. Refer Fig. 2 to take out and to insert battery to plastic housing. (If remote capability is required, refer to "FOR REMOTE CAPABILITY" in below)
6. Snap in Arrows on EXIT panel as required and storing unused arrows in a safe place.
7. Snap EXIT panel to housing.

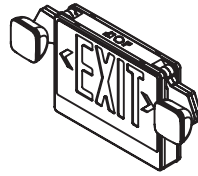
ELECTRICAL CONNECTIONS

Make the proper supply lead connections. If using 120VAC, connect the black and white leads to the building utility. If using 277VAC, connect the orange and white leads to the building utility. Cap off unused wires. In all cases, use standard wire nuts in connection to leads. (See Fig.4)

FOR REMOTE CAPABILITY

1. In order to use additional remote head (6V 12W Max), Prepare additional battery and extra wire for remote capability if one battery was assembled. And Make the proper head connection with remote head wires (not supplied) at junction box using extra head wires in the sign.(See Fig. 5)
2. Connect additional 6V 4.5Ah battery (not supplied) to extra battery connector on the supplied battery, (See Fig. 6) Then place supplied battery at right battery case an additional battery at left battery case. (See Fig. 7). To take out and to insert battery, refer to Fig. 2
3. Extra wire for remote capability is not supplied for one battery assembled by manufacturer.
4. Extra wires for remote capability is supplied for two batteries assembled by manufacturer.

INSTALLATION INSTRUCTIONS



SF801LR1 / SF801LG1

Fig. 1 Opening Exit panel

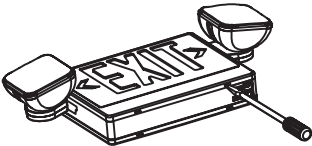
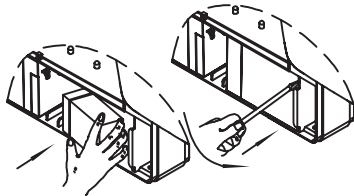
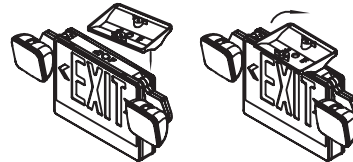


Fig. 2 Inserting/Taking out battery



Inserting
Using (-) driver,
taking out from the bottom

Fig. 3 Assembling canopy to housing
Insert canopy into housing at 20 degree and twist
Quick snap is now firmly locked



CAUTION: Trying to remove canopy after it is locked in place may cause damage

Fig. 4 Wiring

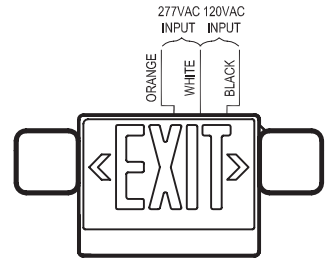
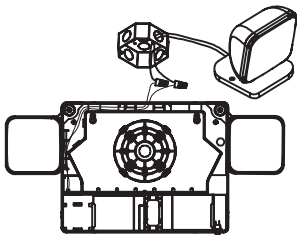
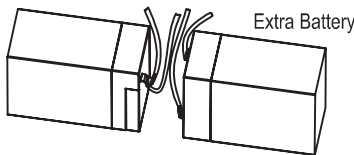


Fig. 5 Wiring for remote capability



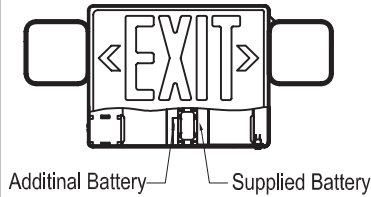
Extra wire for remote capability
(Not provided for one battery)

Fig. 6 Connecting additional battery for remote capability



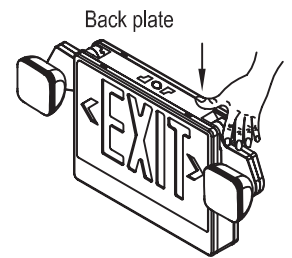
Connect additional battery wire using extra battery terminal

Fig. 7 Position for battery for remote capability



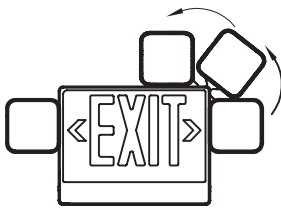
Additional Battery — Supplied Battery

Fig. 8 Opening back plate



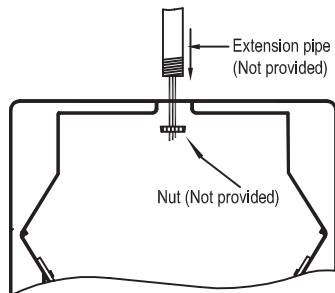
Using Finger press plastic housing

Fig. 9 Adjust position of emergency light heads



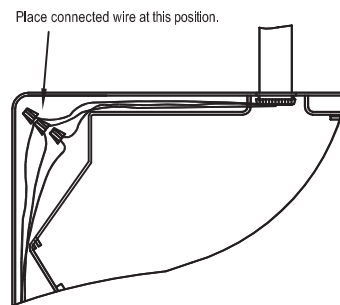
You can adjust position of light heads to get the best position of emergency lighting

Fig.10 For pendant mounting



Extension pipe (Not provided)
Nut (Not provided)

Fig. 11 Connect and trim wires



Place connected wire at this position.

Fig. 12 Pendant Mounting

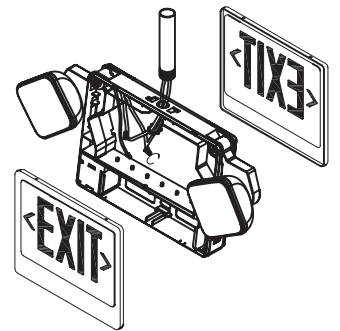


Fig.13 WALL MOUNTING

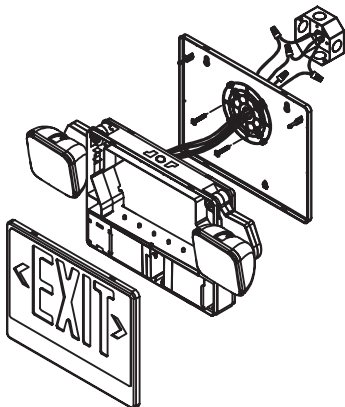


Fig.14 CEILING MOUNTING

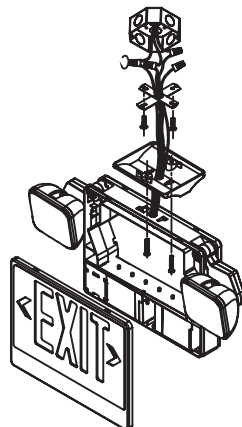
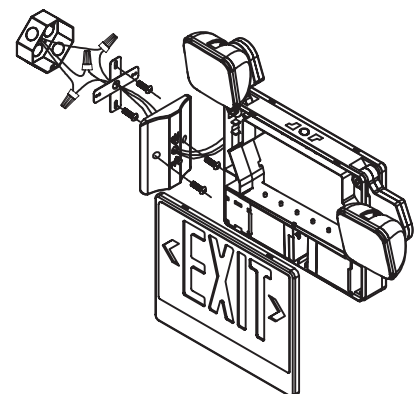


Fig.15 SIDE MOUNTING



SPECIFICATIONS



Model	Operation Voltage	Power Consumption
SF801LR1	120/277VAC 60Hz	100/50 mA
SF801LG1	120/277VAC 60Hz	100/50 mA