

# SKRA14MRV2

- HANKOOK ANTENNA P/N : HA-155H-MSMA1(S)

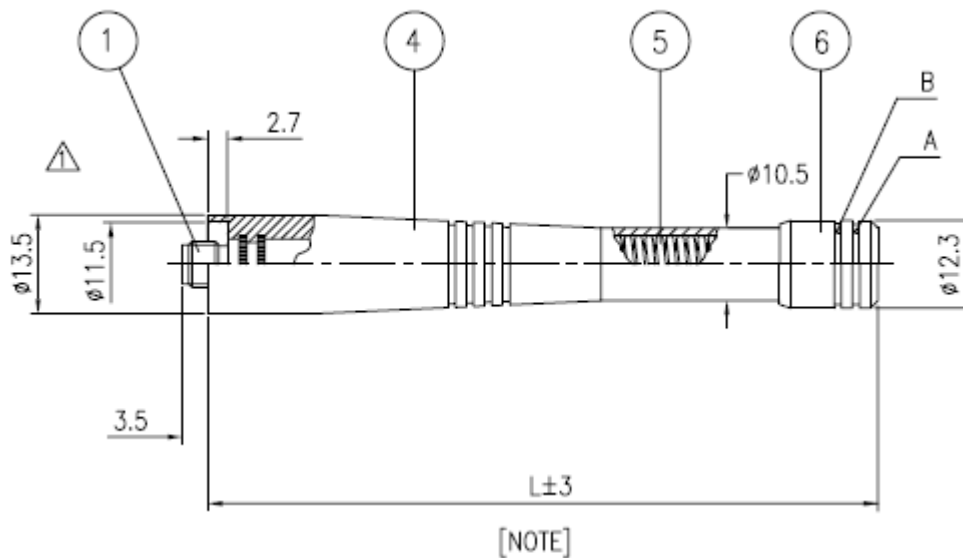
## SPECIFICATION

### ELECTRICAL SPECIFICATION

Center Frequency	155MHz
VSWR	< 2.0
Impedance	50 Ω
Radiation	Omni Directional
Polarization	Vertical
Gain	Unity

### MECHANICAL SPECIFICATION

Radiator	Φ1.0 SPW
Sleeve	Urethane
Cap	ABS
Connector	SMA-Female
Total Length	92 ± 3mm



CODE NO.	FREQ.(MHz)	L(mm)	LINE COLOR	
			A	B
11T-12-013	155	92	GREEN	GREEN
11T-12-016	165	87	BLUE	GREEN