

# 1/2.7" Megapixel IR Series

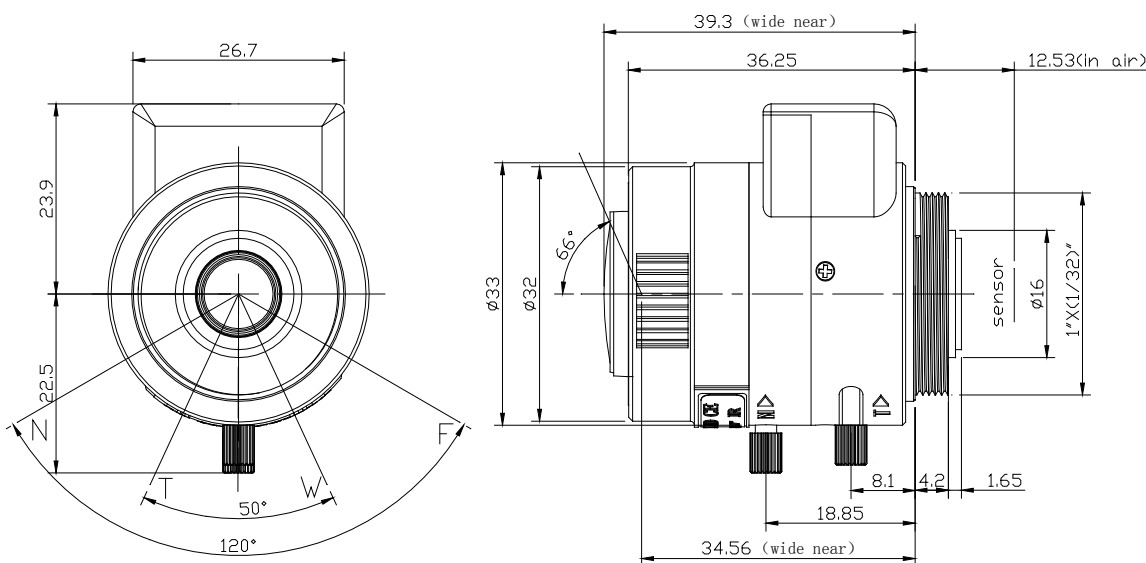
## SYS02812DIRSD

- 2.8 - 12mm
  - 1/2.7" Format
  - 3 Megapixel
- CS Mount
  - DC-Iris
  - IR Correction



E.F.L.	2.8 ~ 12 mm	
F No.	F1.4	
H.FOV	1/3.2" Full	86° ~ 26°
Image Format	1/2.7"(max)	
Iris Type	DC-Iris	
Mount Type	CS	
M.O.D	0.3m	
TV Distortion	-15% (wide)	
Chief Ray Angle (Max)	<8°	
Control Type	Zoom	Manual
	Focus	Manual
Operating Temperature	-20 ~ 60	
Weight	40g ±4g	

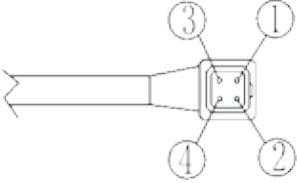
### Dimensions



Tolerance(mm)	0 ~ 10 ±0.05	10 ~ 30 ±0.10	30 ~ 120 ±0.20	Angle ±2°
---------------	--------------	---------------	----------------	-----------

## DC-Iris

### 1. Connector and Cord Specification

	1	Damping(-)
	2	Damping(+)
	3	Driving(+)
	4	Driving(-)
<b>Connector</b>	Square 4 pin	JEITA Standard
	Cable Length	250mm

### 2. DC-Iris Specification

<b>DC Motor</b>	Driving Coil	190Ω at 20°C
	Damping Coil	560Ω at 20°C
	Storage Temperature	-30 ~ 70°C
<b>Operating</b>	Voltage (Open)	3.5 ~ 5V
	Voltage (Close)	<0.5V
	Operating Temperature	-20 ~ 60°C