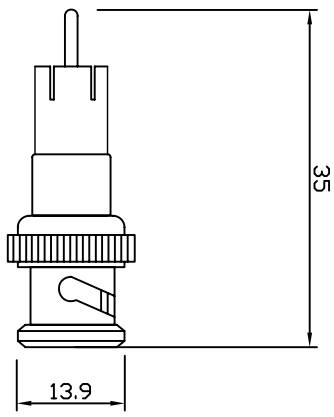


Version	Explain	Date
A		2014.12.09



Name: BNC Macho a RCA macho  
 Type: RF  
 BNC, RCA Interface Type: BNC, RCA  
 Application Range: Audio and video conversion  
 Shape: Strip-type  
 Craftsmanship: No welding  
 Characteristics: Fire-retardant / flame-retardant  
 Working Frequency: High frequency

Contact Material:  
 Pins: Copper  
 Main Part: Nickel-plated zinc alloy  
 Insulation: PTFE  
 Cores: Two  
 Pins: Gold-plated brass  
 Clips: Silver-plated brass  
 Shell: Nickel-plated zinc alloy  
 Shielding ring: Six slots nickel-plated copper  
 Bayonet: Nickel-plated zinc alloy  
 Spring: none  
 Frequency Range: 0~2GHz  
 1500V Dielectric withstand voltage: 1500V  
 $\leq 1.3$  VSWR:  $\leq 1.3$

Contact Resistance:  
 Inner conductor resistance:  $\leq 2.0m\Omega$   
 Outer conductor resistance:  $\leq 0.2m\Omega$   
 $\geq 50000\Omega$  Insulation Resistance:  $\geq 5000M\Omega$   
 Sealing Ring: Silicone rubber  
 Connector durability:  $\geq 500$  times plugging and pulling out test

Pins: 1  
 Impedance:  $75\Omega$

general tolerance	CUSTOMER:	CUST NO:	PART NO:	
X	$\pm 0.1$	PRODUCT NO:	TT-RG01	
X X	$\pm 0.05$	BNC Macho a RCA macho	DRAWING SIZE 1:1 A1	
X XX	$\pm 0.005$		UNIT	mm
X XXX	$\pm 0.0002$	DRAWN BY	PAGE	1 OF 1
		CHECKED BY		
		APPROVED BY		
		SORTING NO.		

