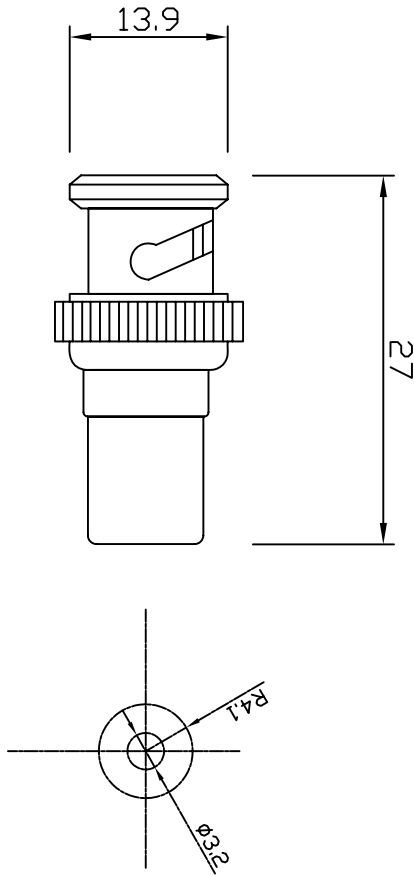


Version	Explain	Date
A		2014.12.09

Type: RF
 BNC, RCA Interface Type: BNC, RCA
 Application Range: Audio and video conversion
 Shape: Strip-type
 Craftsmanship: No welding
 Characteristics: Fire-retardant / flame-retardant
 Working Frequency: High frequency



Contact Material:
 Pins: Copper
 Main Part: Nickel-plated zinc alloy
 Insulation: PTFE
 Cores: Two
 Pins: Gold-plated brass
 Clips: Silver-plated brass
 Shell: Nickel-plated zinc alloy
 Shielding ring: Six slots nickel-plated copper
 Bayonet: Nickel-plated zinc alloy
 Spring: none
 Frequency Range: 0~2GHz
 1500V Dielectric withstand voltage: 1500V
 ≤ 1.3 VSWR: ≤ 1.3

Contact Resistance:
 Inner conductor resistance: $\leq 2.0m\Omega$
 Outer conductor resistance: $\leq 0.2m\Omega$
 $\geq 5000M\Omega$ Insulation Resistance: $\geq 5000M\Omega$
 Sealing Ring: Silicone rubber
 Connector durability: ≥ 500 times plugging and pulling out test
 Pins: 1
 Impedance: 75Ω

general tolerance	CUSTOMER:	CUST NO:	PART NO:
X	#01		TT-RG02
X.X	#005		
X.XX	#0005	BNC Macho a RCA hembra	
X.XXX	#0.0002		
	DRAWN BY		DRAWING SIZE 1:1 A1
	CHECKED BY		UNIT mm
	APPROVED BY		PAGE 1 OF 1
	SORTING NO.		

