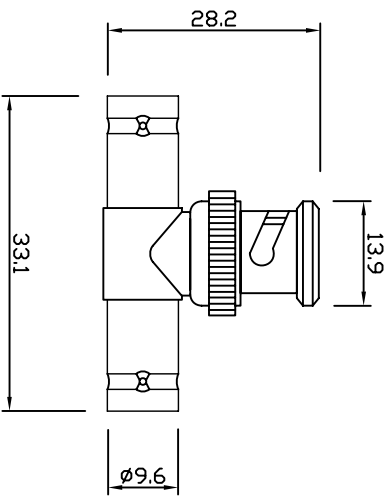


Version	Explain	Date
A		2014.12.09

■ MAJOR TECHNICAL CHARACTERISTICS

- Temperature Range $-55^{\sim}+155^{\circ}\text{C}$ (PE Cable $-40^{\sim}+85^{\circ}\text{C}$)
- Impedance $50\ \Omega$, $75\ \Omega$
- Frequency Range DC \sim 4GHz
- Working Voltage 500V r.m.s at sea level
- Withstanding Voltage 1500V r.m.s at sea level
- Contact Resistance
- Center Contact $\leq 1.5\text{m}\ \Omega$
- Outer Contact $\leq 1\text{m}\ \Omega$
- Insulation Resistance $\geq 5000\text{M}\ \Omega$
- Center conductor retention force $\geq 0.57\text{N}$
- Insertion Loss $\leq 0.20\text{dB}/3\text{GHz}$
- Voltage Standing Wave Ratio
- Straight $\leq 1.22/3\text{GHz}$
- Right angle $\leq 1.30/3\text{GHz}$
- Durability(mating) $\geq 500\text{次}$ (cycles)
- MATERIAL & PLATING
- body brass nickel plated
- pin contact brass gold or silver plated
- socket contact beryllium-copper gold or silver plated
- resilient contact beryllium-copper gold or silver plated
- insulator PTFE
- crimp ferrule copper alloy nickel plated
- O-ring sealing 6146 silicone rubber



general tolerance	CUSTOMER:	CUST NO:	PART NO:	
X	#01	PRODUCT NO:	TIT-RG12	
X.X	#0.05	BNC Macho o Doble		
X.XX	#0.005	BNC hembra		
X.XXX	#0.0002	DRAWN BY	DRAWING SIZE	1:1 A1
		CHECKED BY	UNIT	mm
		APPROVED BY	PAGE	1 OF 1
		SORTING NO.		