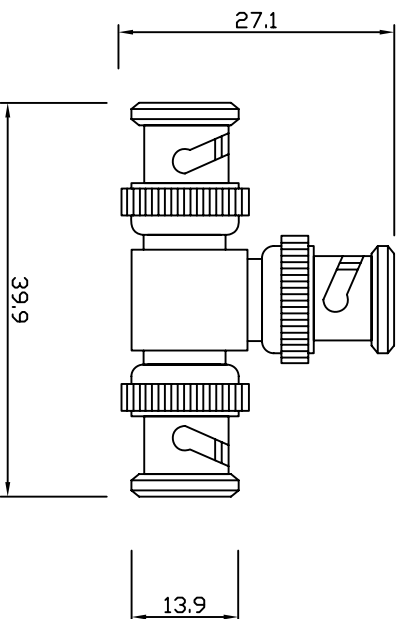


Version	Explain	Date
A		2014.12.09

■ MAJOR TECHNICAL CHARACTERISTICS

- Temperature Range $-55^{\sim}+155^{\circ}\text{C}$ (PE Cable $-40^{\sim}+85^{\circ}\text{C}$)
 - Impedance $50\ \Omega$, $75\ \Omega$
 - Frequency Range DC \sim 4GHz
 - Working Voltage 500V r.m.s at sea level
 - Withstanding Voltage 1500V r.m.s at sea level
 - Contact Resistance
 - Center Contact $\leq 1.5\text{m}\ \Omega$
 - Outer Contact $\leq 1\text{m}\ \Omega$
 - Insulation Resistance $\geq 5000\text{M}\ \Omega$
 - Center conductor retention force $\geq 0.57\text{N}$
 - Insertion Loss $\leq 0.20\text{dB}/3\text{GHz}$
 - Voltage Standing Wave Ratio
 - Straight $\leq 1.22/3\text{GHz}$
 - Right angle $\leq 1.30/3\text{GHz}$
 - Durability(mating) ≥ 500 次 (cycles)
- MATERIAL & PLATING
- body brass nickel plated
 - pin contact brass gold or silver plated
 - socket contact beryllium-copper gold or silver plated
 - resilient contact beryllium-copper gold or silver plated
 - insulator PTEE
 - crimp ferrule copper alloy nickel plated
 - o-ring sealing 6146 silicone rubber



general tolerance	CUSTOMER:	CUST NO.:	PART NO.:
X	± 0.1		
X.X	± 0.05		
X.XX	± 0.005		
X.XXX	± 0.0002		
PRODUCT NO.: Triple BNC macho		PART NO.: TT-RG14	
DRAWN BY		DRAWING SIZE	
CHECKED BY		UNIT	
APPROVED BY		PAGE	
SORTING NO.		1 OF 1	