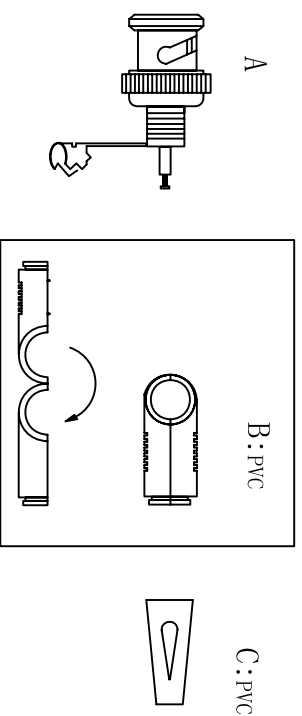
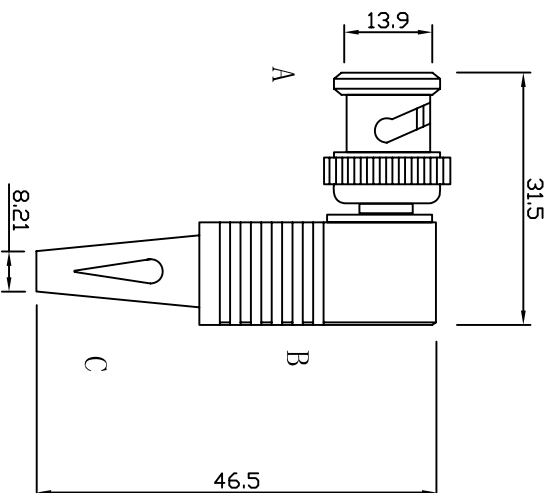


Version	Explain	Date
A		2014.12.22



Technical parameters:

Working temperature: $-55^{\circ}\text{C} \sim 155^{\circ}\text{C}$
 Relative humidity: $\leq 95\%$ (40°C)
 Main technical characteristics:
 Frequency range: $0\text{--}4\text{Hz}$
 Working voltage: 500V (50Hz rms)
 Standard retention: $\geq 0.25\text{N}$
 Pullout force: $\leq 20\text{N}$
 Contact resistance: $\leq 2.5\text{m}\Omega$
 Insulation resistance: $\geq 5000\text{m}\Omega$
 Standard withstanding voltage: 1500V (50Hz rms)
 Mechanical durability: 500 times
 Elastic parts: beryllium bronze, gold-plated phosphor
 bronze, silver plated
 Inelastic parts: Nickel-plated brass
 Insulating medium: PTFE
 Sealing ring: silicone rubber

general tolerance	CUSTOMER:	CUST NO:	PART NO:	
X ±0.1	PRODUCT NO:		TT-RG95	
X: X ±0.05	BNC Macho Base plastica			
X: XX ±0.005	recta			
X: XXX ±0.0002				
	DRAWN BY		DRAWING SIZE	1:1 A1
	CHECKED BY		UNIT	mm
	APPROVED BY		PAGE	1 OF 1
	SORTING NO.			

epcom
TITANIUM
 BNC VIDEO SOLUTIONS