

TwistPort™ Adaptor

for RouterBoard™ with MMCX connectors

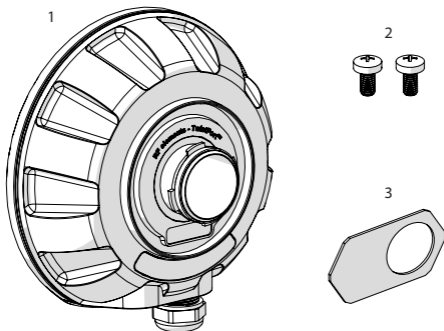
TPA-RBC



TwistPort™ Adaptor

2

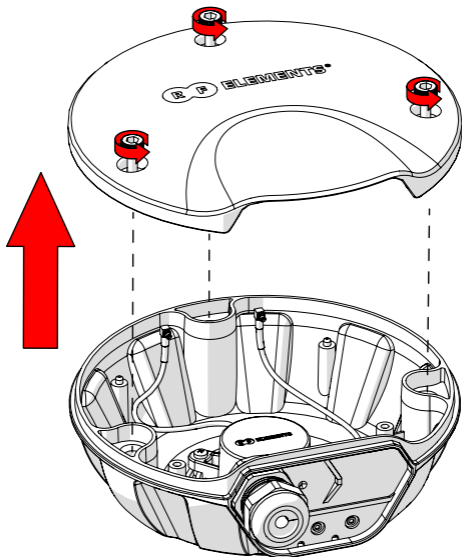
Package Contents



Number	Description	Quantity
1	TwistPort™ Adaptor	1x
2	M3 x 10mm Screw	2x
3	Blind Plate	1x

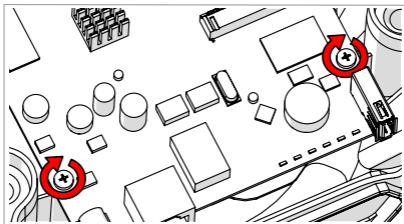
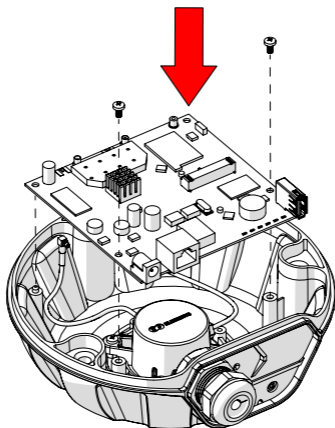
TwistPort™ Adaptor

Installation

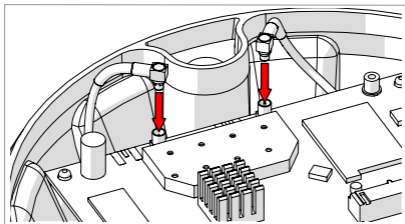
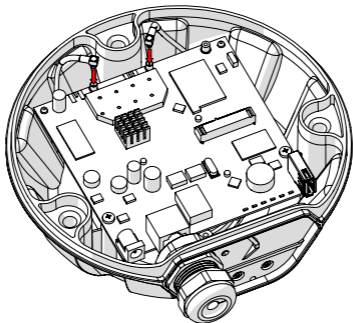


TwistPort™ Adaptor

Installation

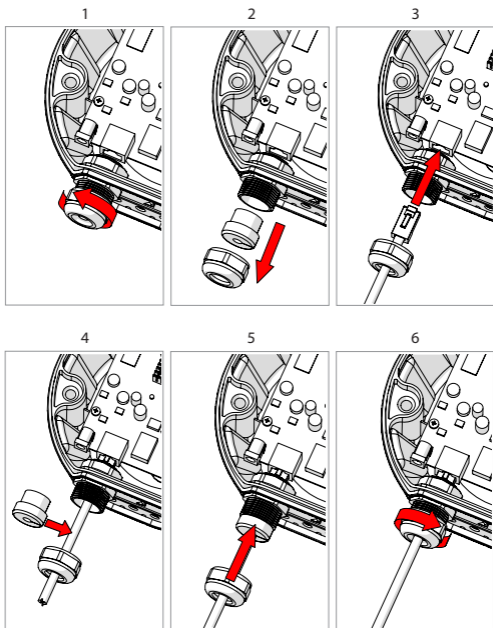


Installation



TwistPort™ Adaptor

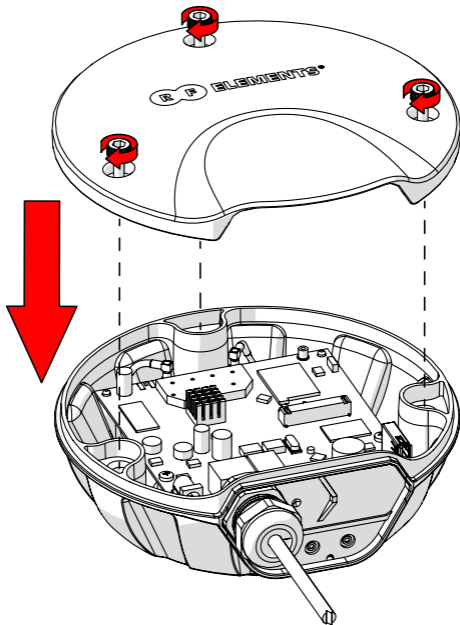
Installation



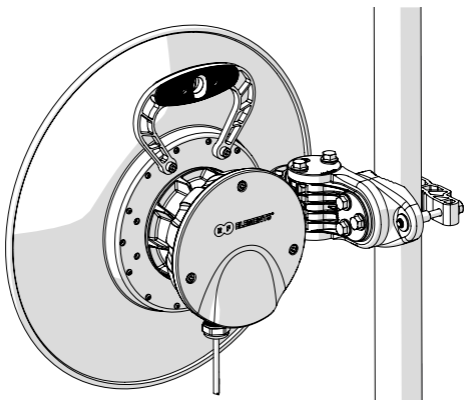
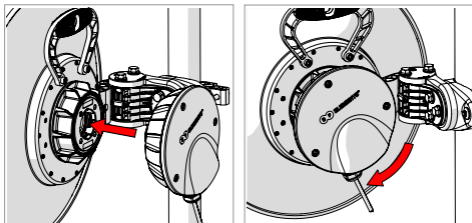
TwistPort™ Adaptor

7

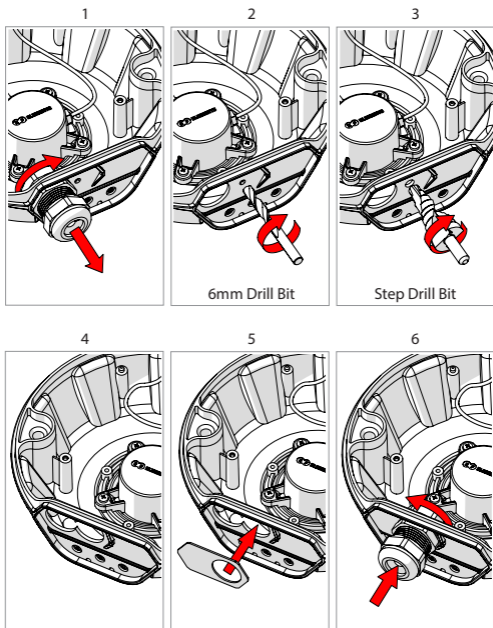
Installation



Installation



Customizing Connectors



Compatible Antennas:

RF elements s.r.o.
any TwistPort™ Antenna

Compatible Devices:

MikroTik™ RB

for a list of compatible device visit www.rfelements.com

MikroTik™ and RouterBoard™ are trademarks
of MikroTik, Aizkraukles iela23, Riga, LV-1006 Latvia.

RF elements®, Simper™ and TwistPort™ are trademarks of
RF elements s.r.o., Humenne, Slovakia.
All rights of trademark owners reserved.



RF elements s.r.o.
Phone +421 2 3260 3711
info@rfelements.com
www.rfelements.com